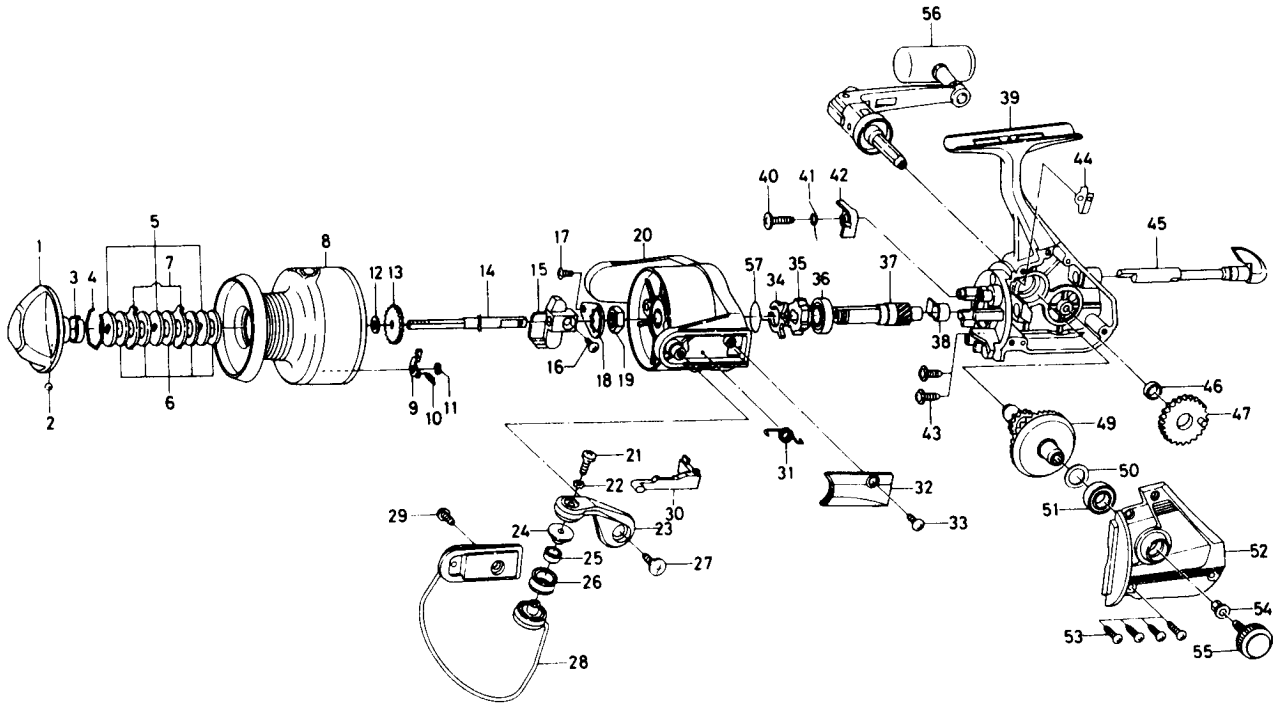


SPINNING REEL PS900BL



No. 4-11 L13-6901

Spool assembly

Key No.	Parts No.	Parts Name
1	E50-9701	Drag knob
2	635-4701	Click ball
3	B32-8701	Click leaf spring
4	171-7701	Drag washer retainer
5	L03-1301	Key washer
6	373-3712	Drag washer
7	B89-9501	Eared washer
8	L13-7001	Spool assembly
9	B07-8201	Click pawl
10	145-2101	Click spring
11	320-1402	Click retainer
12	L11-9101	Spool washer
13	L11-8501	Click gear
14	L11-9502	Main shaft
15	L11-4801	Oscillating slider
16	351-8901	Oscillating slider screw
17	L01-1702	Rotor nut holding plate
18	B02-1601	Rotor nut holding plate screw
19	340-8301	Rotor nut
20	L11-7208	Rotor
21	E45-4001	Line roller screw
22	160-8401	Lock washer
23	E50-9901	Bail arm
24	F08-8301	Line roller collar
25	F05-5601	Ball bearing A
26	F05-8901	Line roller
27	E00-7602	Bail arm screw
28	E50-7601	Bail assembly
29	L01-1701	Bail trip cam screw

Key No.	Parts No.	Parts Name
30	L11-7301	Bail trip lever
31	L06-7001	Bail spring
32	L11-5601	Bail spring cover
33	E36-4201	Bail spring cover screw
34	L07-0701	Anti-reverse pawl spring A
35	L09-1701	Anti-reverse ratchet
36	637-6101	Ball bearing B
37	L11-4401	Pinion gear
38	L00-6001	Pinion collar
39	L13-6102	Body assembly
40	L06-6501	Anti-reverse pawl screw
41	L06-6401	Anti-reverse pawl spring B
42	L07-8601	Anti-reverse pawl
43	L01-1601	Bearing retainer screw
44	E01-1801	Anti-reverse cam spring
45	L10-0710	Anti-reverse lever
46	847-4101	Oscillating gear collar
47	L11-4701	Oscillating gear
49	L07-1701	Drive gear
50	371-2800	Drive gear washer
51	B54-6001	Ball bearing C
52	L12-6917	Side cover
53	B83-5001	Side cover screw
54	501-8401	Handle collar
55	L00-9101	Handle lock screw
56	L05-8401	Handle assembly
57	F21-2001	Anti-reverse pawl spring C