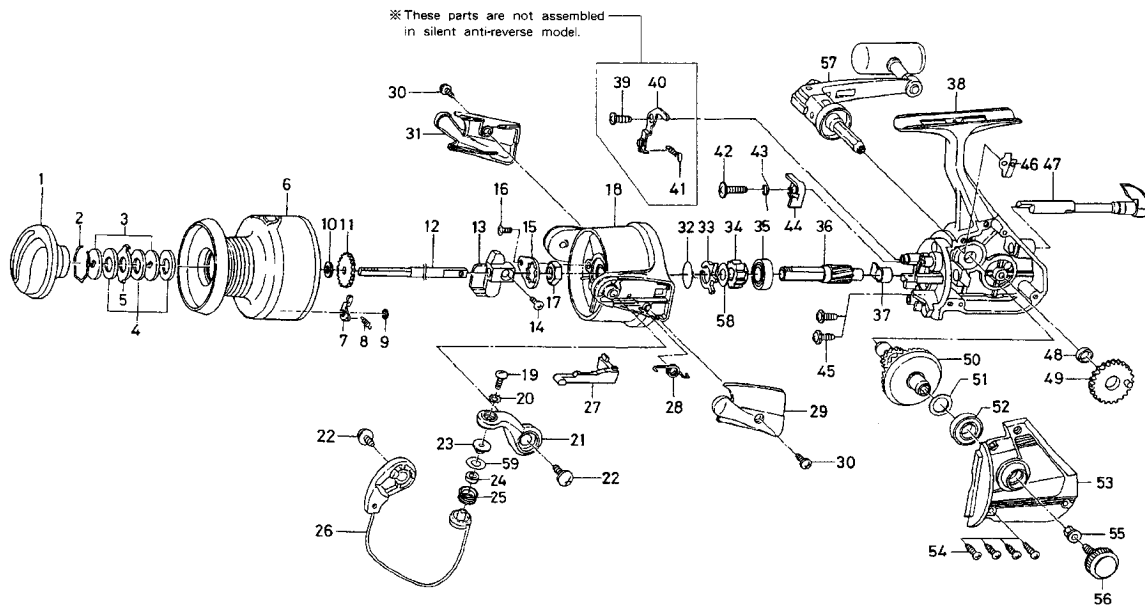


Please order by part number, not key number.

# RG-X5500T/X6000T

# SPINNING REEL



### RG-X5500T

| KEY NO. | PART NO. | PART NAME                |
|---------|----------|--------------------------|
| *       | F54-8001 | EXTRA SPOOL              |
| 2-9     | F53-9101 | SPOOL                    |
| 1       | F36-9805 | DRAG KNOB                |
| 2       | 171-7701 | DRAG WASHER RET          |
| 3       | L03-1301 | KEY WASHER               |
| 4       | 373-3712 | DRAG WASHER              |
| 5       | B89-9501 | EARED WASHER             |
| 7       | B07-8201 | CLICK PAWL               |
| 8       | 145-2101 | CLICK SPRING             |
| 9       | 320-1402 | CLICK RET                |
| 10      | F22-5501 | SPOOL WASHER             |
| 11      | L11-8501 | CLICK GEAR               |
| 12      | F42-9501 | MAIN SHAFT               |
| 13      | F42-9101 | OSC SLIDER               |
| 14      | 351-8901 | OSC SLIDER SCREW         |
| 15      | F58-9801 | ROTOR NUT HOLD PLT       |
| 16      | L01-1702 | ROTOR NUT HOLD PLT SCREW |
| 17      | 340-8301 | ROTOR NUT                |
| 18      | F39-3205 | ROTOR                    |
| 19      | F60-7301 | LINE ROLLER SCREW        |
| 21      | F36-9005 | BAIL ARM                 |
| 22      | E00-7601 | BAIL ARM SCREW           |
| 23      | F44-6302 | LINE ROLLER COLLAR       |
| 24      | F47-3401 | LINE ROLLER BUSHING      |
| 25      | F45-4902 | LINE ROLLER              |
| 26      | F60-6601 | BAIL                     |
| 27      | F41-3401 | BAIL TRIP LEVER          |
| 28      | F60-8001 | BAIL SPRING              |
| 29      | F39-3305 | BAIL SPRING COVER        |
| 30      | E24-8101 | BAIL SPRING COVER SCREW  |
| 31      | F39-3405 | BAIL TRIP COVER          |
| 32      | F21-2001 | A/R PAWL SPRING A        |
| 33      | F07-0701 | A/R PAWL SPRING B        |
| 34      | F39-4201 | A/R RATCHET              |
| 35      | L03-6401 | BALL BEARING A           |
| 36      | L11-4401 | PINION GEAR              |

### RG-X5500T

| KEY NO. | PART NO. | PART NAME          |
|---------|----------|--------------------|
| 37      | L00-6001 | PINION COLLAR      |
| 38      | E53-8501 | BODY               |
| 42      | L06-6501 | A/R PAWL SCREW     |
| 43      | L06-6401 | A/R PAWL SPRING C  |
| 44      | L07-8601 | A/R PAWL           |
| 45      | L01-1601 | BEARING RET SCREW  |
| 46      | E01-1801 | A/R CAM SPRING     |
| 47      | L10-0713 | A/R LEVER          |
| 48      | B47-4101 | OSC GEAR COLLAR    |
| 49      | L11-4701 | OSC GEAR           |
| 50      | L07-1701 | DRIVE GEAR         |
| 51      | 371-2824 | DRIVE GEAR WASHER  |
| 52      | B54-6001 | BALL BEARING B     |
| 53      | E53-8401 | SIDE COVER         |
| 54      | B83-5002 | SIDE COVER SCREW   |
| 55      | F40-9001 | HANDLE COLLAR      |
| 56      | L00-9104 | HANDLE LOCK SCREW  |
| 57      | F41-4601 | HANDLE             |
| 58      | F43-1001 | RATCHET WASHER     |
| 59      | F44-6202 | LINE ROLLER WASHER |

### RG-X6000T SPECIAL PARTS

| KEY NO. | PART NO. | PART NAME       |
|---------|----------|-----------------|
| *       | F54-8201 | EXTRA SPOOL     |
| 2-9     | F53-9301 | SPOOL           |
| 18      | F39-4805 | ROTOR           |
| 26      | F60-6801 | BAIL            |
| 27      | F39-3501 | BAIL TRIP LEVER |
| 38      | E53-8302 | BODY            |
| 53      | E53-8402 | SIDE COVER      |