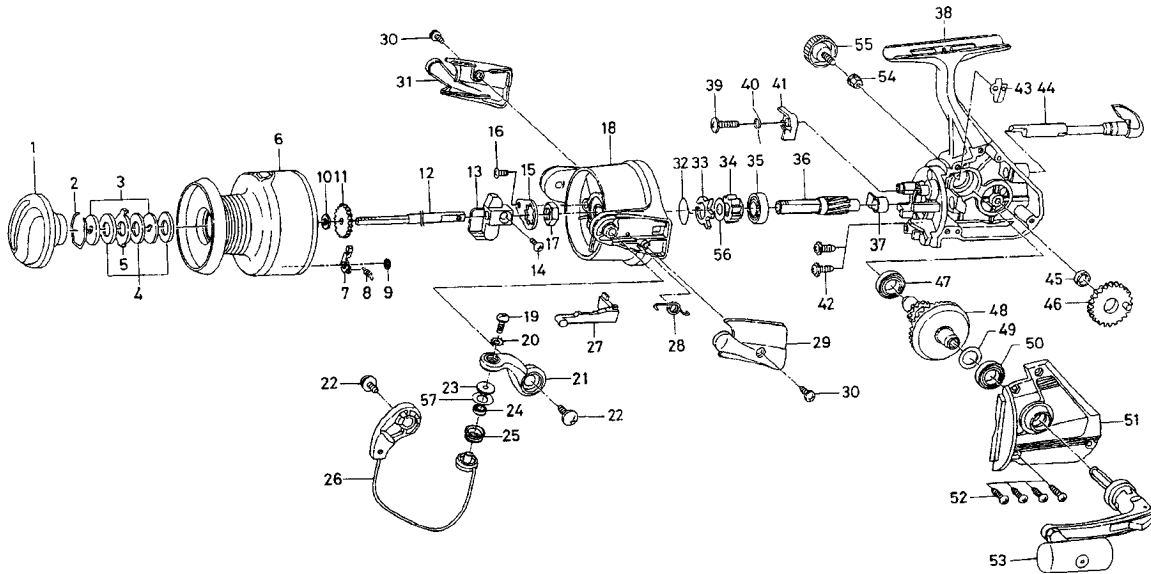


Please order by part number, not key number.

# RG-Z5500T/Z6000T

# SPINNING REEL



### RG-Z5500T

KEY NO.	PART NO.	PART NAME
*	F42-5902	EXTRA SPOOL
2-9	F53-8001	SPOOL
1	F36-9804	DRAG KNOB
2	171-7701	DRAG WASHER RET
3	L03-1301	KEY WASHER
4	373-3712	DRAG WASHER
5	B89-9501	EARED WASHER
7	B07-8201	CLICK PAWL
8	145-2101	CLICK SPRING
9	320-1402	CLICK RET
10	F22-5501	SPOOL WASHER
11	L11-8501	CLICK GEAR
12	F42-9502	MAIN SHAFT
13	F42-9101	OSC SLIDER
14	351-8901	OSC SLIDER SCREW
15	F58-9801	ROTOR NUT HOLD PLT
16	L01-1702	ROTOR NUT HOLD PLT SCREW
17	340-8301	ROTOR NUT
18	F39-4404	ROTOR
19	F60-7301	LINE ROLLER SCREW
21	F53-6901	BAIL ARM
22	E00-7601	BAIL ARM SCREW
23	F44-6302	LINE ROLLER COLLAR
24	F05-5601	BALL BEARING A
25	F45-4902	LINE ROLLER
26	F53-7801	BAIL
27	F41-3401	BAIL TRIP LEVER
28	F43-6401	BAIL SPRING
29	F39-3304	BAIL SPRING COVER
30	E24-8101	BAIL SPRING COVER SCREW
31	F39-3404	BAIL TRIP COVER
32	F21-2001	A/R PAWL SPRING A
33	F07-0701	A/R PAWL SPRING B
34	F39-4201	A/R RATCHET
35	637-6101	BALL BEARING B
36	L11-4401	PINION GEAR

### RG-Z5500T

KEY NO.	PART NO.	PART NAME
37	L00-6001	PINION COLLAR
38	E53-8001	BODY
39	L06-6501	A/R PAWL SCREW
40	L06-6401	A/R PAWL SPRING C
41	L07-8601	A/R PAWL
42	L01-1601	BEARING RET SCREW
43	E01-1801	A/R CAM SPRING
44	L10-0714	A/R LEVER
45	B47-4101	OSC GEAR COLLAR
46	L11-4701	OSC GEAR
47	B54-6001	BALL BEARING C
48	L07-1701	DRIVE GEAR
49	371-2824	DRIVE GEAR WASHER
50	B54-6001	BALL BEARING D
51	E53-8101	SIDE COVER
52	B83-5002	SIDE COVER SCREW
53	E53-8201	HANDLE
54	F40-9001	HANDLE COLLAR
55	L00-9106	HANDLE LOCK SCREW
56	F43-1001	RATCHET WASHER
57	F44-6202	LINE ROLLER WASHER

### RG-Z6000T Special Parts

KEY NO.	PART NO.	PART NAME
*	F43-2702	EXTRA SPOOL
2-9	F53-8601	SPOOL
18	F39-4704	ROTOR
26	F53-8801	BAIL
27	F39-3501	BAIL TRIP LEVER
38	E53-8002	BODY
51	E53-8102	SIDE COVER