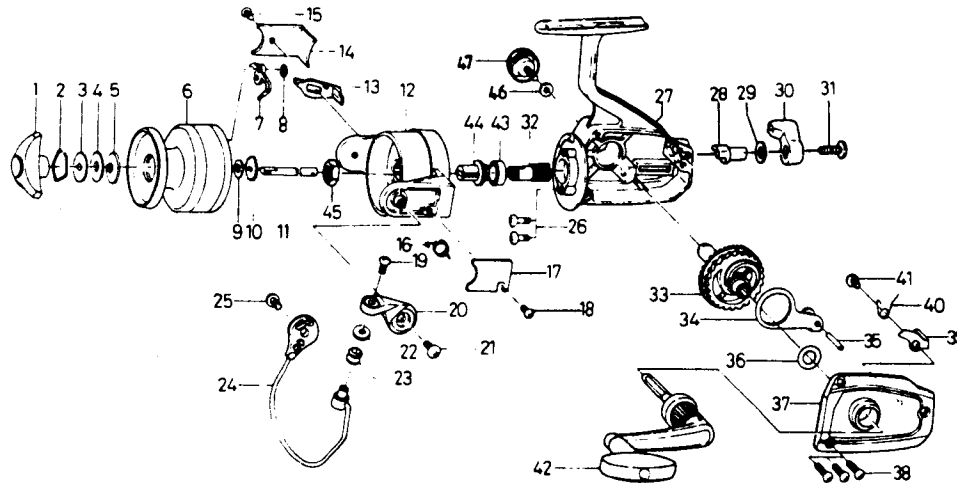


SPINNING REEL RS1300



Key No. 2 ~ 8
B48-5603 Spool assembly *

Key No.	Parts No.	Parts Name	Key No.	Parts No.	Parts Name
1	B48-6001	Drag knob	24	B72-8803	Bail *
2	170-4001	Drag washer retainer	25	353-8202	Bail holder screw
3	373-2503	Key washer	26	B51-5301	Bearing retainer screw
4	370-6901	Eared washer	27	K05-8701	Body *
5	151-6101	Drag washer	28	B66-2301	Anti-reverse lever
6	B48-5703	Spool	29	B11-4302	Anti-reverse lever spring
7	030-4511	Click pawl	30	B18-7401	Anti-reverse lever
8	B13-0601	Click retainer	31	351-8302	Anti-reverse lever screw
9	B51-7301	Spool washer *	32	K05-7601	Pinion gear *
10	270-6401	Click gear	33	K10-1701	Drive gear *
11	K10-1801	Main shaft *	34	480-7501	Oscillating slider
12	B19-0105	Rotor *	35	121-1211	Oscillating slider pin
13	B18-4802	Bail trip lever *	36	371-2800	Drive gear washer
14	B18-4903	Bail trip lever cover *	37	B91-4602	Side cover *
15	352-0402	Bail trip lever cover screw	38	351-5904	Side cover screw
16	K01-0401	Bail spring *	39	111-7101	Anti-reverse pawl
17	B18-4603	Bail spring cover *	40	B58-2401	Anti-reverse pawl spring *
18	352-0402	Bail spring cover screw	41	351-6102	Anti-reverse pawl screw
19	353-8202	Line roller screw	42	747-1101	Handle
20	B47-9402	Bail arm *	43	634-1301	Bail bearing
21	353-8202	Bail arm screw	44	B93-3401	Pinion spacer
22	501-1604	Line roller washer *	45	K05-7501	Rotor nut *
23	250-4221	Line roller	46	B92-4902	Handle lock washer
			47	K10-2401	Handle screw cap *

* 1988 Reel Model