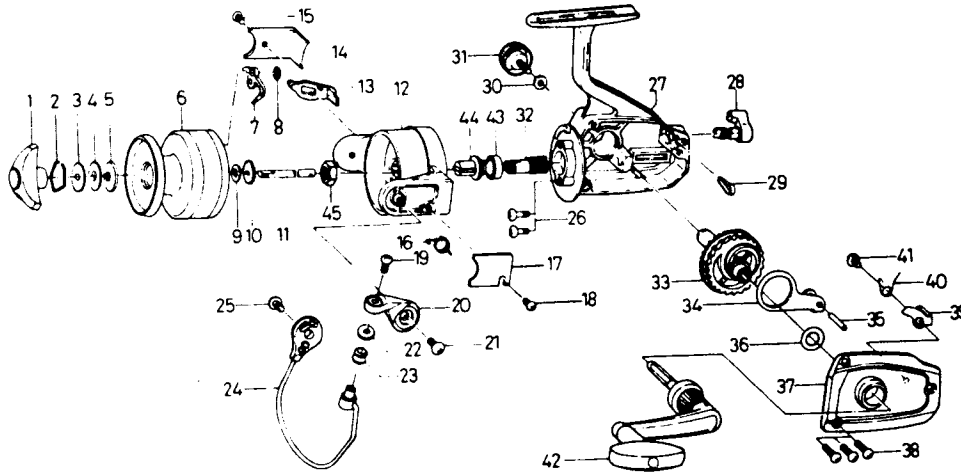


SPINNING REEL **RS1600**



Key No 2 ~ 8

K08-5501

Spool assembly *

Key No.	Parts No.	Parts Name
1	B48-6001	Drag knob
2	170-4001	Drag washer retainer
3	373-2503	Key washer
4	370-6901	Eared washer
5	151-6101	Drag washer
6	K08-5401	Spool
7	030-4511	Click pawl
8	B13-0601	Click retainer
9	B51-7301	Spool washer *
10	270-6401	Click gear
11	K10-1801	Main shaft *
12	B18-4203	Rotor *
13	B18-4802	Bail trip lever *
14	B18-4903	Bail trip lever cover *
15	352-0402	Bail trip lever cover screw
16	K01-0401	Bail spring *
17	B18-4603	Bail spring cover *
18	352-0402	Bail spring cover screw
19	353-8202	Line roller screw
20	B47-9402	Bail arm *
21	353-8202	Bail arm screw
22	501-1604	Line roller washer *
23	250-4221	Line roller

Key No.	Parts No.	Parts Name
24	B90-8401	Bail *
25	353-8202	Bail holder screw
26	B51-5301	Bearing retainer screw *
27	K05-8801	Body
28	B66-2301	Anti-reverse lever
29	B11-4302	Anti-reverse lever spring
30	B92-4902	Handle lock washer
31	K10-2401	Handle screw cap *
32	K05-7401	Pinion gear *
33	K10-1701	Drive gear *
34	480-7501	Oscillating slider
35	121-1211	Oscillating slider pin
36	371-2800	Drive gear washer
37	K10-1903	Side cover *
38	351-5904	Side cover screw
39	111-7101	Anti-reverse pawl
40	B58-2401	Anti-reverse pawl spring *
41	351-6102	Anti-reverse pawl screw
42	747-1101	Handle
43	637-5701	Ball bearing
44	B93-3401	Pinion spacer
45	K05-7501	Rotor nut *

* 1988 Reel Model