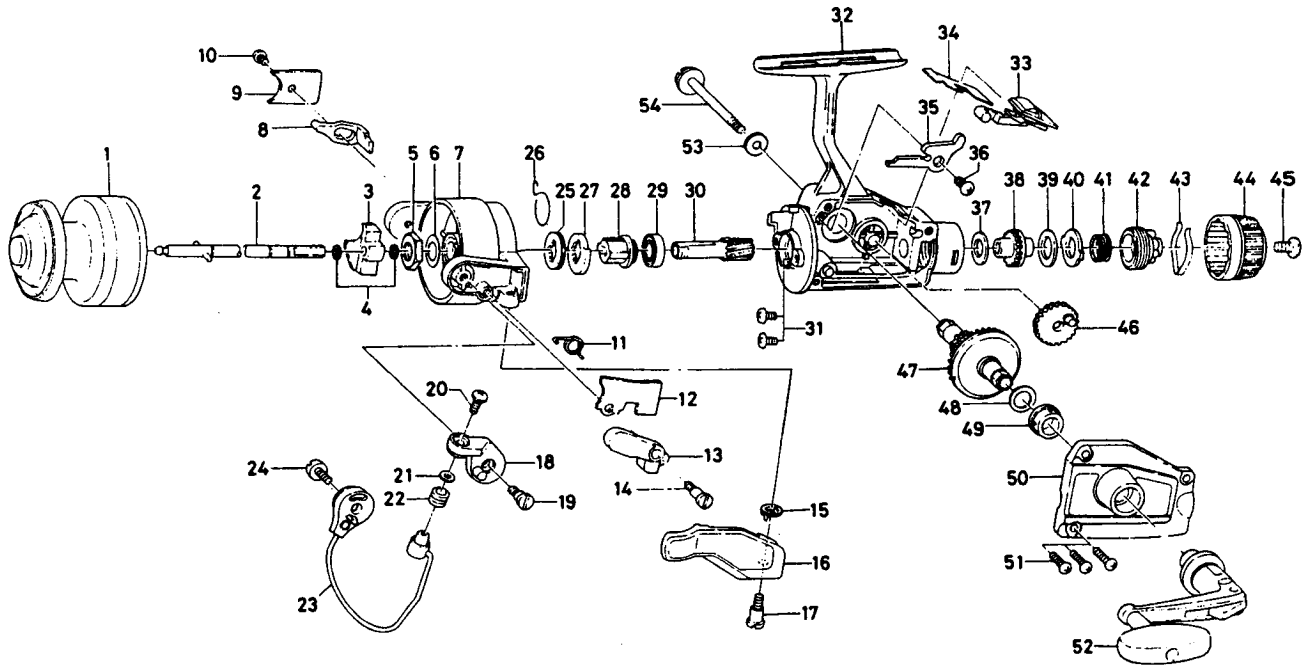


SPINNING REEL RS1655



Key No.	Parts No.	Parts Name	Key No.	Parts No.	Parts Name
1	B77-3201	Spool	28	B82-6602	Pinion spacer
2	B77-0801	Main shaft	29	B34-1301	Ball bearing
3	B77-0701	Oscillating slider	30	B82-6501	Pinion gear
4	320-8202	Oscillating slider retainer	31	351-7703	Ball bearing screw
5	341-9201	Rotor nut	32	K00-8701	Body
6	B27-5401	Rotor washer	33	B84-8901	Anti-reverse lever
7	B82-1503	Rotor	34	B79-0101	Anti-reverse cam spring
8	B77-3701	Bail trip lever	35	B89-9001	Anti-reverse pawl
9	B76-9701	Bail trip cover	36	351-6102	Anti-reverse pawl screw
10	352-0402	Bail trip cover screw	37	B46-9504	Drag washer A
11	B76-9101	Bail spring	38	B76-9804	Click gear
12	B76-9201	Bail spring cover	39	B78-6601	Drag washer B
13	B76-9301	Trigger plate	40	373-3601	Eared washer
14	B68-8801	Bail spring cover screw A	41	B91-3701	Drag coil spring
15	B67-5201	Trigger spring	42	B77-0003	Drag screw
16	B67-5106	Trigger lever	43	B77-0301	Drag washer spring
17	B68-8801	Trigger screw	44	B77-0401	Drag knob
18	B67-4601	Bail arm	45	352-1103	Drag knob spring screw
19	B67-4701	Bail arm screw	46	B74-3701	Oscillating gear
20	B67-9301	Line roller screw	47	B82-2701	Drive gear
21	B55-4301	Line roller washer	48	373-7800	Drive gear washer
22	250-3921	Line roller	49	B12-9002	Bushing
23	B77-3001	Bail	50	K01-1401	Slider cover
24	B68-8701	Bail trip cam screw	51	351-5904	Side cover screw
25	B89-8701	Spring holder	52	B93-4201	Handle
26	B89-8801	Anti-reverse pawl spring	53	372-3501	Handle lock washer
27	B76-8901	Anti-reverse ratchet	54	B11-5803	Handle lock screw