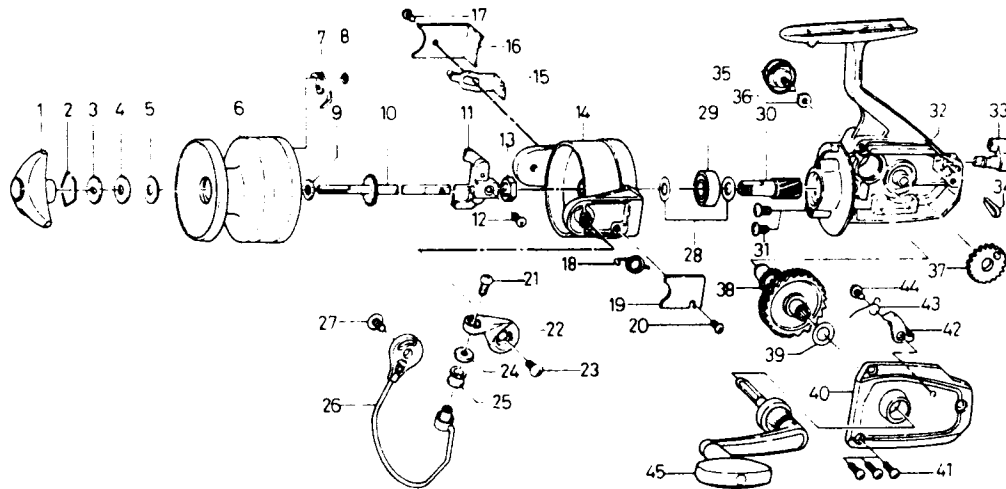


SPINNING REEL RS2000



Key No. 2 ~ 8

K08-5701

Spool Assembly

Key No.	Parts No.	Parts Name	Key No.	Parts No.	Parts Name
1	B60-1401	Drag knob	24	501-2003	Line roller washer
2	170-4511	Drag washer retainer	25	250-4501	Line roller
3	B60-1301	Key washer	26	B19-7703	Bail
4	372-7701	Drag washer	27	352-1103	Bail holder screw
5	150-8401	Drag spring washer	28	371-2822	Pinion washer A
6	K08-5601	Spool	29	635-5001	Ball bearing
7	030-4511	Click pawl	30	501-5101	Pinion gear
8	B13-0601	Click retainer	31	353-8202	Bearing retainer screw
9	373-6802	Spool washer	32	K10-2603	Body
10	B19-7901	Main shaft	33	B66-2301	Anti-reverse lever
11	481-2211	Oscillating slider	34	B11-4303	Anti-reverse lever spring
12	351-8901	Oscillating slider screw	35	K10-2402	Handle screw cap
13	B10-5701	Rotor nut	36	371-9522	Handle lock washer
14	B19-7105	Rotor	37	413-2212	Oscillating gear
15	B19-7502	Bail trip lever	38	K10-3003	Drive gear
16	B19-7603	Bail trip lever cover	39	371-2800	Drive gear washer
17	352-0402	Bail trip lever cover screw	40	K10-3001	Side cover
18	K01-0501	Bail spring	41	351-5904	Side cover screw
19	B19-7403	Bail spring cover	42	110-9622	Anti-reverse pawl
20	352-0402	Bail spring cover screw	43	144-2801	Anti-reverse pawl spring
21	B11-2801	Line roller screw	44	351-6102	Anti-reverse pawl screw
22	B19-7303	Bail arm	45	K10-3201	Handle
23	352-1103	Bail arm screw			