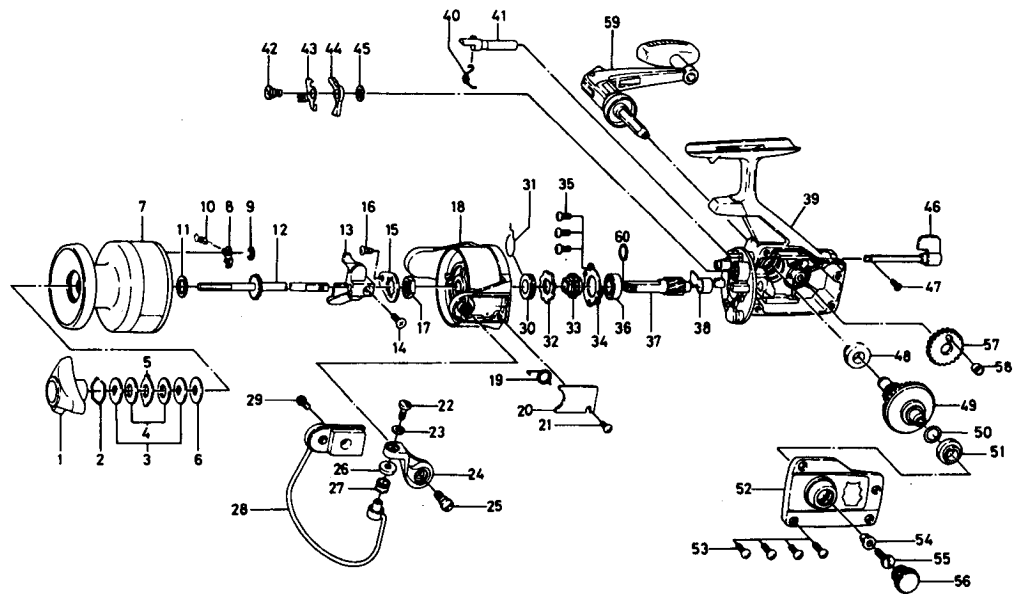


# SPINNING REEL SG7000



Key No.	Parts No.	Parts Name	Key No.	Parts No.	Parts Name
1	B72-8507	Drag knob	31	B13-5801	Anti-reverse claw spring
2	170-4511	Drag washer retainer	32	280-5403	Ratchet
3	372-7813	Drag D washer	33	B32-1302	Click gear
4	372-9011	Disc washer	34	B67-8401	Ball bearing ret. washer
5	375-5401	Drag A washer	35	B01-5801	Ball bearing ret. washer screw
6	372-7701	Drag washer A	36	637-6101	Ball bearing
7	B89-6201	Spool	37	B78-8901	Pinion gear
8	B07-8201	Spool click claw	38	B87-2401	Pinion holder
9	320-1402	Spool click claw retainer	39	B89-5801	Body
10	145-2101	Spool click claw spring	40	144-0321	Anti-reverse cam spring
11	376-1701	Spool washer	41	B67-0502	Anti-reverse cam
12	B82-4701	Main shaft	42	B67-0801	Anti-reverse claw screw
13	B67-1302	Oscillating slider	43	B01-5501	Anti-reverse claw plate
14	B30-4001	Oscillating slider screw	44	111-3802	Anti-reverse claw
15	B02-1602	Rotor nut retaining plate	45	375-1503	Anti-reverse claw washer
16	B01-7101	Rotor nut retaining plate screw	46	B89-5201	Anti-reverse lever
17	B43-7601	Rotor nut	47	B34-2101	Anti-reverse lever screw
18	B67-3004	Rotor	48	501-6102	Bearing
19	144-2201	Bail spring	49	B78-9001	Drive gear
20	B66-5902	Bail spring cover	50	371-2800	Drive gear washer
21	B01-5802	Bail spring cover screw	51	501-6102	Bearing
22	363-3112	Bail screw	52	B89-6001	Body cover
23	375-1101	Bail washer A	53	B43-8501	Body cover screw
24	B10-5603	Arm lever	54	501-8401	Handle collar
25	B66-5801	Arm lever screw	55	363-8611	Handle screw
26	501-2002	Bail washer B	56	363-4701	Handle screw cap
27	250-4502	Line roller	57	B78-9701	Oscillating gear
28	B89-5901	Bail	58	B78-9801	Oscillating collar
29	B01-5802	Bail holder screw	59	B91-3201	Handle
30	B13-5701	Spring holder	60	B90-9201	Pinion washer