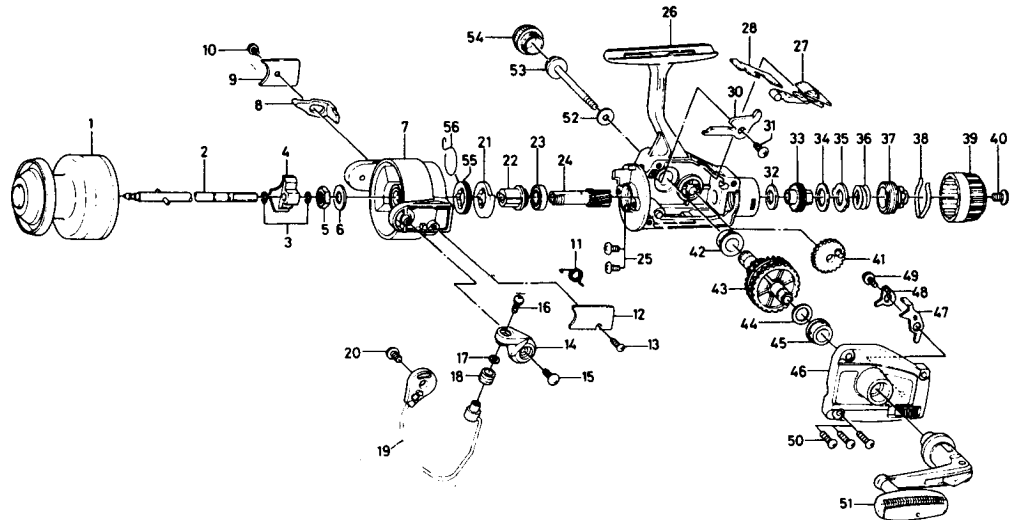


SPINNING REEL SK1650/2050



Key No.	Parts No.	Parts Name	Key No.	Parts No.	Parts Name
1	B85-0301	Spool	32	B46-9504	Drag washer A
2	B77-0801	Main shaft	33	B76-9801	Click gear
3	320-8202	Oscillating slider retainer	34	B78-6601	Drag washer B
4	B77-0701	Oscillating slider	35	373-3603	Drag washer C
5	341-9201	Rotor nut	36	B91-3701	Drag knob spring
6	B27-5401	Rotor washer	37	B77-0003	Drag screw
7	B82-1602	Rotor	38	B77-0301	Drag washer spring
8	B77-3701	Bail kick lever	39	B82-6801	Drag knob
9	B76-9701	Bail kick lever cover	40	352-1105	Drag knob screw
10	352-0401	Bail kick lever cover screw	41	B74-3701	Oscillating gear
11	B18-7702	Bail spring	42	B12-9002	Bearing
12	B77-2203	Bail spring cover	43	B82-7001	Drive gear
13	352-0401	Bail spring cover screw	44	373-7800	Drive gear washer
14	B76-0201	Arm lever	45	B12-9002	Bearing
15	351-6101	Arm lever screw	46	B85-0101	Body cover
16	B67-9302	Bail screw	47	B84-8601	Anti-reverse claw B
17	B55-4301	Bail washer	48	B50-1201	Anti-reverse claw spring
18	250-3921	Line roller	49	351-6102	Anti-reverse claw screw B
19	B77-3801	Bail	50	351-5901	Body cover screw
20	351-6101	Bail holder screw	51	B91-1201	Handle
21	B76-8901	Ratchet	52	B40-3102	Handle washer
22	B82-6602	Ratchet holder	53	B82-7601	Handle screw
23	637-5701	Ball bearing	54	B82-3801	Handle screw cap
24	B82-6501	Pinion gear			
25	351-7703	Ball bearing screw	SK2050 Special Parts		
26	B82-6307	Body	1	B85-0401	Spool
27	B84-8901	Anti-reverse lever	7	B82-1802	Rotor
28	B79-0101	Anti-reverse lever spring	8	B76-9601	Bail kick lever
30	B89-9001	Anti-reverse claw A	19	B77-2301	Bail
31	351-6102	Anti-reverse claw screw A	26	B82-6308	Body
			46	B85-0102	Body cover
			51	B82-7301	Handle