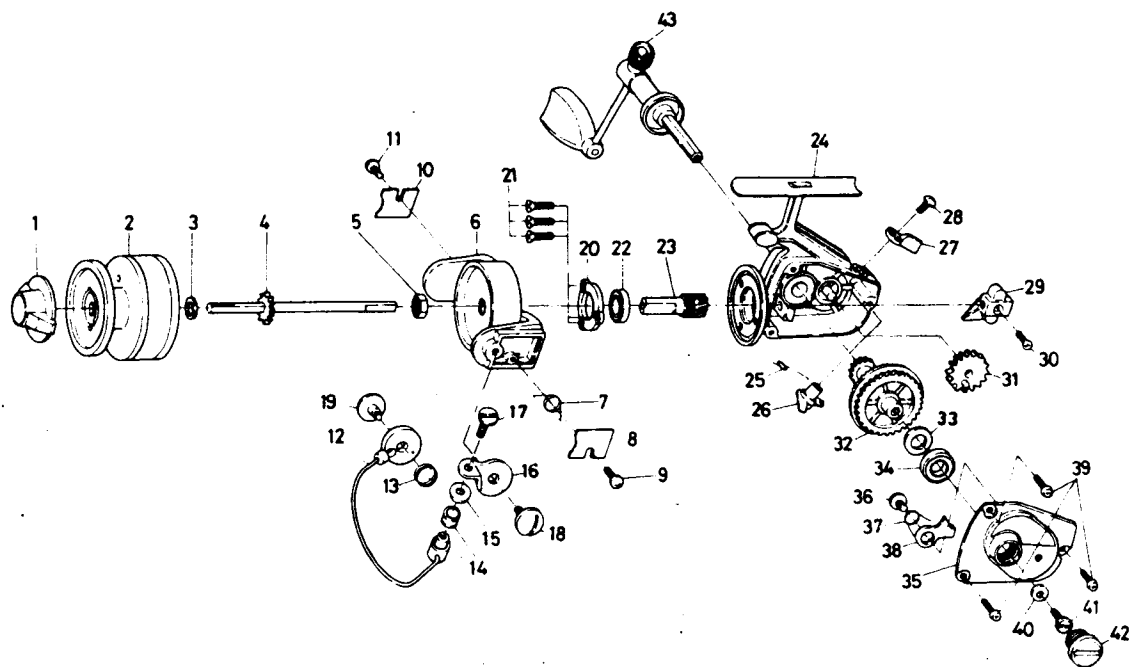


## SPINNING REEL SS1



LINE CAPACITY: 160 YDS. 6 LB. TEST (145m. 2.7kg)

Key No.	Parts No.	Parts Name
1	6-740-2304	Drag knob
2	6-731-0003	Spool assembly
3	6-372-3501	Spool washer
4	6-710-7801	Main shaft
5	6-341-9201	Rotor nut
6	6-735-4401	Rotor
7	6-143-9401	Bail spring
8	6-040-5001	Bail spring cover
9	6-351-1801	Bail spring cover screw
10	6-040-5001	Bail spring cover
11	6-351-1801	Bail spring cover screw
12	6-725-4711	Bail
13	6-143-9501	Arm lever spring
14	6-250-3901	Line roller
15	6-501-1401	Roller collar
16	6-231-1501	Arm lever
17	6-353-1801	Bail screw
18	6-363-2201	Arm lever screw
19	6-363-2201	Bail holder
20	6-634-1701	Ball bearing ret. washer
21	6-351-5311	Ball bearing ret. washer screw
22	6-634-1301	Ball bearing

Key No.	Parts No.	Parts Name
23	6-402-2201	Pinion gear
24	6-700-4702	Body
25	6-142-2801	Anti-reverse cam spring
26	6-460-6821	Anti-reverse cam
27	6-540-3711	Anti-reverse lever
28	6-350-1931	Anti-reverse lever screw
29	6-481-0501	Oscillating slider
30	6-351-0311	Oscillating slider screw
31	6-413-0101	Oscillating gear
32	6-413-0201	Drive gear
33	6-370-5150	Drive gear washer
34	6-634-1301	Ball bearing
35	6-705-7702	Body cover
36	6-351-7701	Anti-reverse claw screw
37	6-143-9601	Anti-reverse claw spring
38	6-111-3401	Anti-reverse claw
39	6-351-1001	Body cover screw
40	6-372-4601	Handle washer
41	6-362-1001	Handle screw
42	6-363-2301	Handle screw cap
43	6-745-8612	Handle