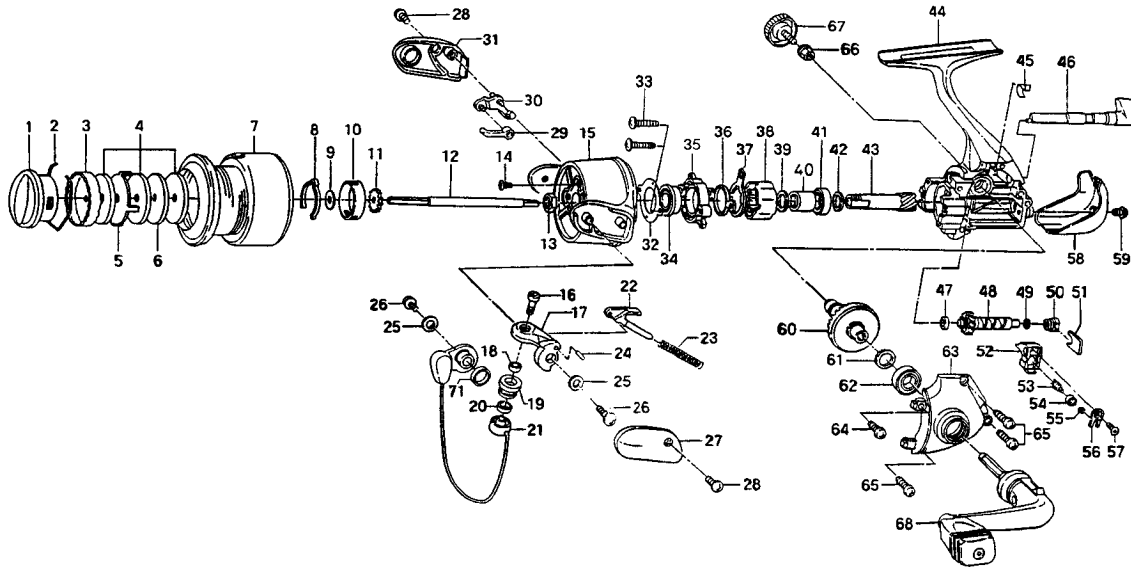


# SS2-1500C / 2000C



Key No.	Parts No.	Parts Name
2-7	G03-5401	SPOOL
1	G03-5601	DRAG KNOB
2	F74-2501	DRAG WASHER RET
3	F69-0201	DRAG KNOB CLICK PLT
4	F69-2301	DRAG WASHER A
5	F69-0101	EARED WASHER
6	F69-0001	DRAG WASHER B
8	F70-4901	SPOOL CLICK LEAF SPRING
9	E39-4001	SPOOL WASHER
10	E12-2303	CLICK LEAF SPRING HOLDER
11	E36-5301	CLICK GEAR
12	F65-2701	MAIN SHAFT
13	341-9204	ROTOR NUT
14	B55-7601	ROTOR NUT LOCK SCREW
15	F63-3712	ROTOR
16	F62-5202	LINE ROLLER SCREW
17	F62-3511	BAIL ARM
18	G02-0801	BALL BEARING A
19	F62-5001	LINE ROLLER
20	F70-1801	LINE ROLLER COLLAR
21	G03-5301	BAIL
22	F69-1104	BAIL SPRING SHAFT
23	F74-2401	BAIL SPRING
24	F62-3701	BAIL ARM SCREW
25	F63-1801	BAIL HOLDER WASHER
26	351-6104	BAIL HOLDER SCREW
27	F63-1906	BAIL SPRING COVER
28	352-2503	BAIL SPRING COVER SCREW
29	F62-4601	BAIL TRIP PLT
30	F72-7201	BAIL TRIP LEVER
31	F63-7004	BAIL TRIP COVER
32	F92-5801	BEARING RET A
33	E24-7402	BEARING RET SCREW
34	F22-6701	BALL BEARING B
35	F92-4801	BEARING RET B
36	F67-5401	ROLLER CLUTCH RET
37	F62-2201	A/R LEVER RET

Key No.	Parts No.	Parts Name
38	F62-2001	ROLLER CLUTCH
39	375-8509	ROLLER CLUTCH WASHER
40	F73-2501	SPACING SLEEVE
41	637-5702	BALL BEARING C
42	F78-1002	PINION COLLAR
43	F93-5501	PINION GEAR
44	G03-4701	BODY
45	F65-1901	A/R CAM SPRING
46	F65-1802	A/R LEVER
47	F65-2201	WORM SHAFT BUSH
48	F98-5001	WORM SHAFT
49	375-4101	WORM SHAFT WASHER
50	F65-2301	WORM SHAFT COLLAR
51	F65-2401	WORM SHAFT RET
52	F65-2601	OSC SLIDER
53	F89-1701	OSC PAWL
54	F91-3001	OSC PAWL BUSH
55	375-0801	OSC PAWL WASHER
56	F62-2901	OSC SLIDER COVER
57	E15-0205	OSC SLIDER COVER SCREW
58	G03-2203	REAR COVER
59	E24-8103	REAR COVER SCREW
60	F65-2801	DRIVE GEAR
61	375-8502	DRIVE GEAR WASHER
62	637-5702	BALL BEARING D
63	F65-3010	SIDE COVER
64	E15-7501	SIDE COVER SCREW A
65	E13-0502	SIDE COVER SCREW B
66	F40-4801	HANDLE COLLAR
67	F03-5601	HANDLE LOCK SCREW
68	G10-2101	HANDLE
71	F77-7701	BAIL HOLDER COLLAR

**SS2-2000C Special Parts**

Key No.	Parts No.	Parts Name
2-7	G03-5701	SPOOL