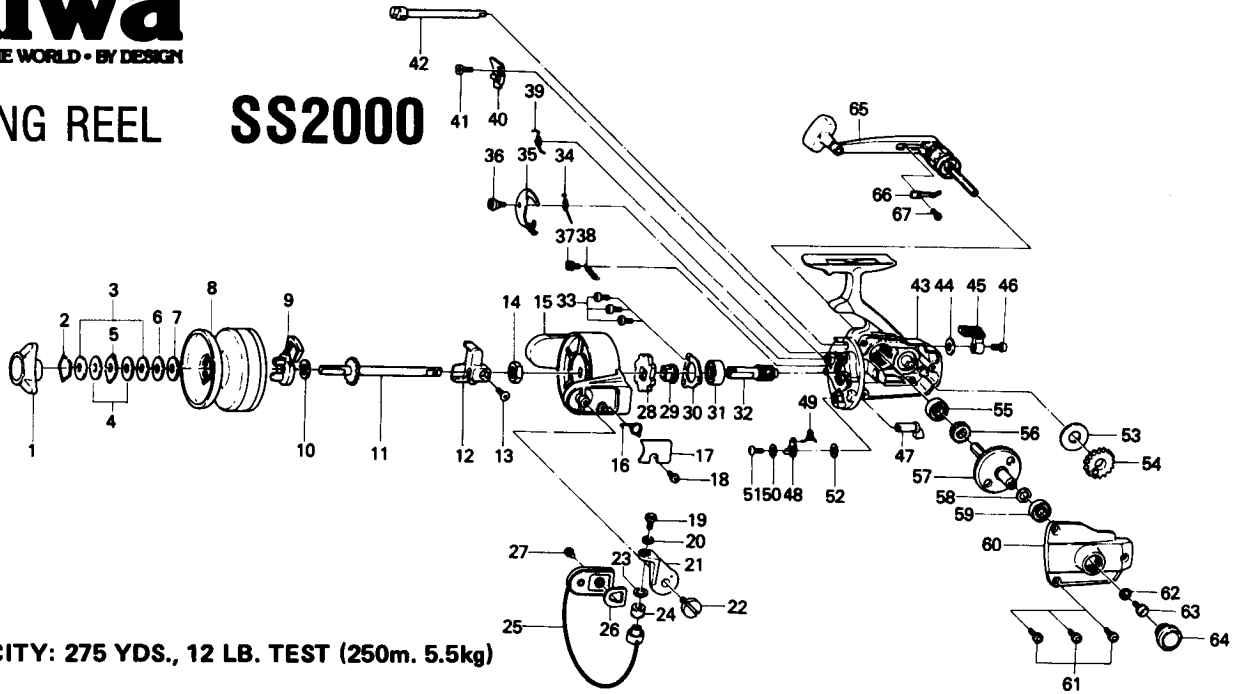


SPINNING REEL SS2000



LINE CAPACITY: 275 YDS., 12 LB. TEST (250m. 5.5kg)

Key No. 2 ~ 9	6-733-0201	Spool assembly	\$16.75
Key No. 65 ~ 67	6-746-7101	Handle assembly	13.65

Key No.	Parts No.	Parts Name	Price Per Piece	Key No.	Parts No.	Parts Name	Price Per Piece
1	6-740-2105	Drag knob	\$2.95	35	6-770-1011	Click claw	\$.95
2	6-170-4001	Drag washer retainer	.10	36	6-363-3012	Click claw screw	.20
3	6-373-2502	Drag D washer	.15	37	6-363-3301	Click lever spring screw	.10
4	6-374-2901	Disc washer	.20	38	6-144-1211	Click lever spring	.15
5	6-375-5301	Drag A washer	.15	39	6-144-0301	Anti-reverse cam spring	.15
6	6-370-6901	Drag washer A	.15	40	6-770-0731	Anti-reverse claw	.90
7	6-371-2731	Drag washer B	.10	41	6-363-3601	Anti-reverse claw screw	.25
8	6-733-0401	Spool	N/A	42	6-461-5004	Anti-reverse cam	1.15
9	6-030-5901	Spool click claw	.25	43	6-700-6703	Body	9.00
10	6-374-9001	Spool washer	.10	44	6-373-2700	Anti-reverse lever washer	.10
11	6-711-1211	Main shaft	2.15	45	6-541-2801	Anti-reverse lever	.75
12	6-481-0902	Oscillating slider	.50	46	6-351-1001	Anti-reverse lever screw	.10
13	6-351-8901	Oscillating slider screw	.10	47	6-541-3001	Noiseless lever	.50
14	6-340-8301	Rotor nut	.20	48	6-461-3001	Noiseless cam	.25
15	6-201-7702	Rotor	3.75	49	6-144-2101	Noiseless lever spring	.15
16	6-143-5311	Bail spring	.15	50	6-160-3101	Noiseless lever washer A	.10
17	6-632-6412	Bail spring cover	.15	51	6-350-1931	Noiseless lever screw	.10
18	6-350-1931	Bail spring cover screw	.10	52	6-375-3001	Noiseless lever washer B	.10
19	6-363-3111	Bail screw	.35	53	6-374-6600	Oscillating gear washer	.10
20	6-375-1101	Bail washer	.10	54	6-413-2211	Oscillating gear	.50
21	6-231-1901	Arm lever	1.50	55	6-636-6001	Ball bearing	3.65
22	6-362-3411	Arm lever screw	.60	56	6-402-3801	Oscillating pinion	.50
23	6-501-2001	Roller collar	.25	57	6-750-2841	Drive gear	5.75
24	6-250-4301	Line roller	.30	58	6-371-2820	Drive gear washer	.10
25	6-725-5622	Bail	2.30	59	6-636-6001	Ball bearing	3.65
26	6-210-3111	Balancer	.35	60	6-705-9601	Body cover	4.30
27	6-351-6601	Bail holder screw	.10	61	6-353-1504	Body cover screw	.10
28	6-280-5301	Ratchet	.60	62	6-371-9521	Handle washer	.10
29	6-270-7002	Click gear	.50	63	6-363-3401	Handle screw	.20
30	6-635-9901	Ball bearing ret. washer	.25	64	6-781-3101	Handle screw cap	1.00
31	6-636-6001	Ball bearing	3.65	65	6-746-6501	Handle arm	N/A
32	6-402-3721	Pinion gear	1.55	66	6-151-4401	Handle leaf spring	.10
33	6-351-6601	Ball bearing ret. washer screw	.10	67	6-352-0401	Handle leaf spring screw	.10
34	6-144-0211	Click claw spring	.10				