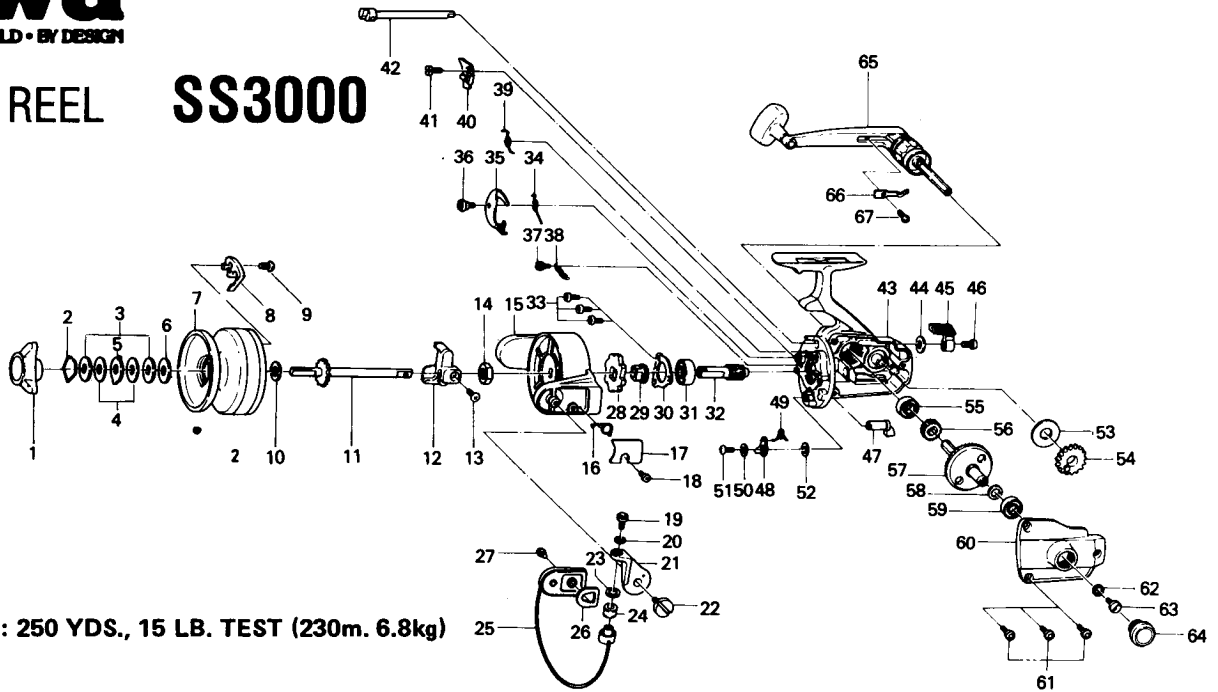


SPINNING REEL SS3000



LINE CAPACITY: 250 YDS., 15 LB. TEST (230m. 6.8kg)

Key No. 2 ~ 9		
6-732-0502	Spool assembly	\$17.35
Key No. 65 ~ 67		
6-746-7101	Handle assembly	13.65

Key No.	Parts No.	Parts Name	Price Per Piece
1	6-740-2604	Drag knob	\$3.30
2	6-170-4001	Drag washer retainer	.10
3	6-373-2502	Drag D washer	.15
4	6-374-2901	Disc washer	.20
5	6-375-5301	Drag A washer	.15
6	6-370-6901	Drag washer A	.15
7	6-731-3902	Spool	N/A
8	6-030-4411	Spool click claw	.15
9	6-351-6102	Spool click claw screw	.10
10	6-374-9001	Spool washer	.10
11	6-711-1211	Main shaft	2.15
12	6-481-0902	Oscillating slider	.50
13	6-351-8901	Oscillating slider screw	.10
14	6-340-8301	Rotor nut	.20
15	6-201-7802	Rotor	4.00
16	6-143-5311	Bail spring	.15
17	6-632-6412	Bail spring cover	.15
18	6-350-1931	Bail spring cover screw	.10
19	6-363-3111	Bail screw	.35
20	6-375-1101	Bail washer	.10
21	6-231-1901	Arm lever	1.50
22	6-362-3411	Arm lever screw	.60
23	6-501-2001	Roller collar	.25
24	6-350-4301	Line roller	.30
25	6-725-5622	Bail	2.30
26	6-210-3111	Balancer	.35
27	6-351-6601	Bail holder screw	.10
28	6-280-5301	Ratchet	.60
29	6-270-7002	Click gear	.50
30	6-635-9901	Ball bearing ret. washer	.25
31	6-636-6001	Ball bearing	3.65
32	6-402-3721	Pinion gear	1.55
33	6-351-6601	Ball bearing ret. washer screw	.10
34	6-144-0211	Click claw spring	.10

Key No.	Parts No.	Parts Name	Price Per Piece
35	6-770-1011	Click claw	\$.95
36	6-363-3012	Click claw screw	.20
37	6-363-3301	Click lever spring screw	.10
38	6-144-1211	Click lever spring	.15
39	6-144-0301	Anti-reverse cam spring	.15
40	6-770-0731	Anti-reverse claw	.90
41	6-363-3601	Anti-reverse claw screw	.25
42	6-461-5004	Anti-reverse cam	1.15
43	6-700-6704	Body	9.00
44	6-373-2700	Anti-reverse lever washer	.10
45	6-541-2801	Anti-reverse lever	.75
46	6-351-1001	Anti-reverse lever screw	.10
47	6-541-3001	Noiseless lever	.50
48	6-461-3001	Noiseless cam	.25
49	6-144-2101	Noiseless lever spring	.15
50	6-160-3111	Noiseless lever washer A	.10
51	6-350-1931	Noiseless lever screw	.10
52	6-375-3001	Noiseless lever washer B	.10
53	6-374-6600	Oscillating gear washer	.10
54	6-413-2211	Oscillating gear	.50
55	6-636-6001	Ball bearing	3.65
56	6-402-3801	Oscillating pinion	.50
57	6-750-2841	Drive gear	5.75
58	6-371-2820	Drive gear washer	.10
59	6-636-6001	Ball bearing	3.65
60	6-705-9602	Body cover	4.30
61	6-353-1504	Body cover screw	.10
62	6-371-9521	Handle washer	.10
63	6-363-3411	Handle screw	.20
64	6-781-3101	Handle screw cap	1.00
65	6-746-6501	Handle arm	N/A
66	6-151-4401	Handle leaf spring	.10
67	6-352-0401	Handle leaf spring screw	.10