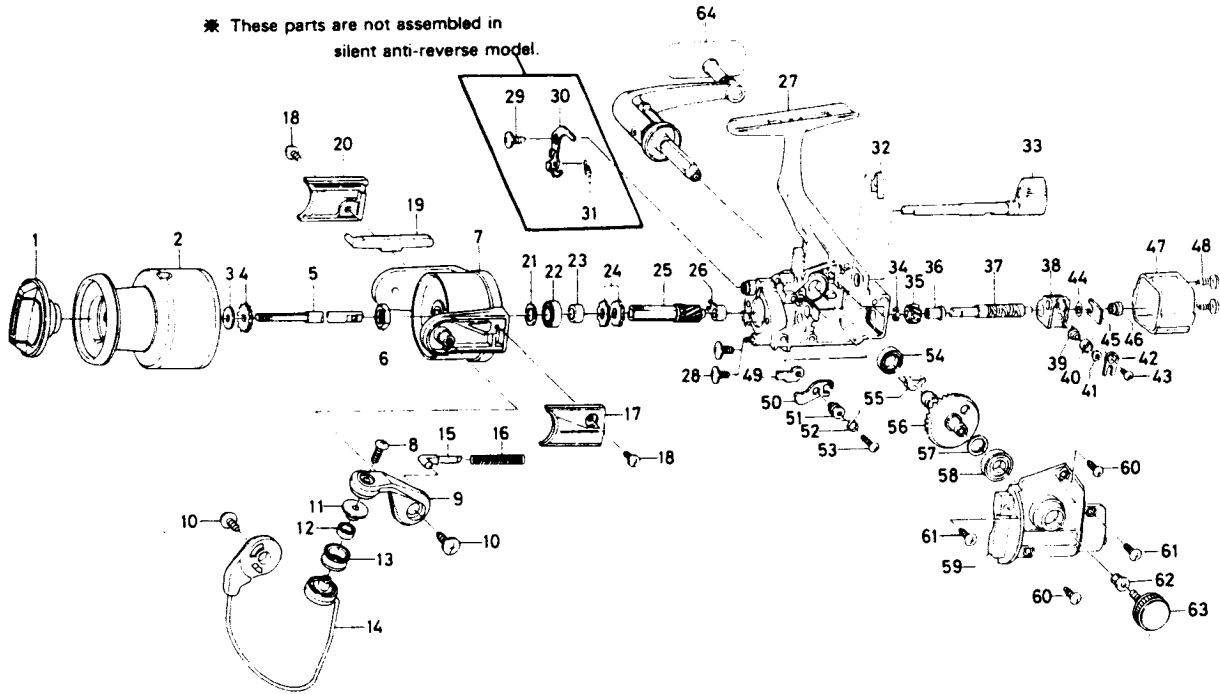


SPINNING REEL — SS750



Key No.	Part No.	Part Name	Price
1	E36-5801	Drag knob	6.60
2	E44-5901	Spool	N/A*
3	E39-4001	Spool washer	.60
4	E36-5301	Click gear	.60
5	E36-3902	Main shaft	2.40
6	341-9201	Rotor nut	.55
7	F07-9701	Rotor	6.95
8	B67-9305	Line roller screw	.45
9	F05-8201	Bail arm	1.40
10	E00-7102	Bail arm screw	.45
11	F06-6301	Lever roller collar	1.50
12	F05-5601	Ball bearing A	9.25
13	F05-8901	Line roller	2.75
14	F07-9801	Bail	8.30
15	E36-4401	Bail spring shaft	.70
16	E39-0501	Bail spring	.60
17	E36-4606	Bail spring cover	1.90
18	E36-4201	Bail spring cover screw	.60
19	E36-5001	Bail trip lever	1.40
20	E36-5107	Bail trip cover	1.90
21	375-8503	Bearing washer	.60
22	636-6401	Ball bearing B	8.25
23	E36-3601	Spacing sleeve	1.10
24	E27-1501	Anti-reverse ratchet	.75
25	E41-7002	Pinion gear	7.30
26	E24-3301	Pinion holder	.70
27	F07-9301	Body	15.95
28	E03-7801	Bearing retainer screw	.60
32	E26-8701	Anti-reverse cam spring	.60
33	E36-3216	Anti-reverse lever	2.60
34	B33-9801	Worm shaft gear retainer	.35

Key No.	Part No.	Part Name	Price
35	E41-7101	Worm shaft gear	1.60
36	E39-3501	Worm shaft bush	.90
37	E42-6101	Worm shaft	7.50
38	F02-4301	Oscillating slider	3.70
39	E19-1202	Oscillating pawl	4.55
40	E19-1301	Oscillating pawl bush	2.80
41	375-0800	Oscillating pawl washer	.40
42	E24-4901	Oscillating slider cover	.90
43	E15-0203	Oscillating slider cover screw	.70
44	375-4100	Worm shaft washer	.30
45	E36-3801	Worm shaft retainer	.70
46	E39-3601	Worm shaft collar	1.10
47	E36-4002	Rear cover	2.80
48	E24-8102	Rear cover screw	.60
49	B95-9301	Anti-reverse pawl plate	.70
50	E27-1301	Anti-reverse pawl	1.15
51	B95-9501	Anti-reverse pawl collar	.95
52	B95-9602	Anti-reverse pawl spring A	.60
53	B00-8601	Anti-reverse pawl screw	.35
54	E30-6801	Ball bearing C	6.95
55	E24-5302	Anti-reverse pawl spring B	1.40
56	F07-9501	Drive gear	9.60
57	375-8500	Drive gear washer	.45
58	637-5701	Ball bearing D	6.95
59	F07-9601	Left side cover	5.50
60	E15-8601	Left side cover screw A	.60
61	E15-8602	Left side cover screw B	.60
62	501-8501	Handle collar	.70
63	F03-5602	Handle lock screw	1.65
64	F08-0001	Handle assembly	13.00