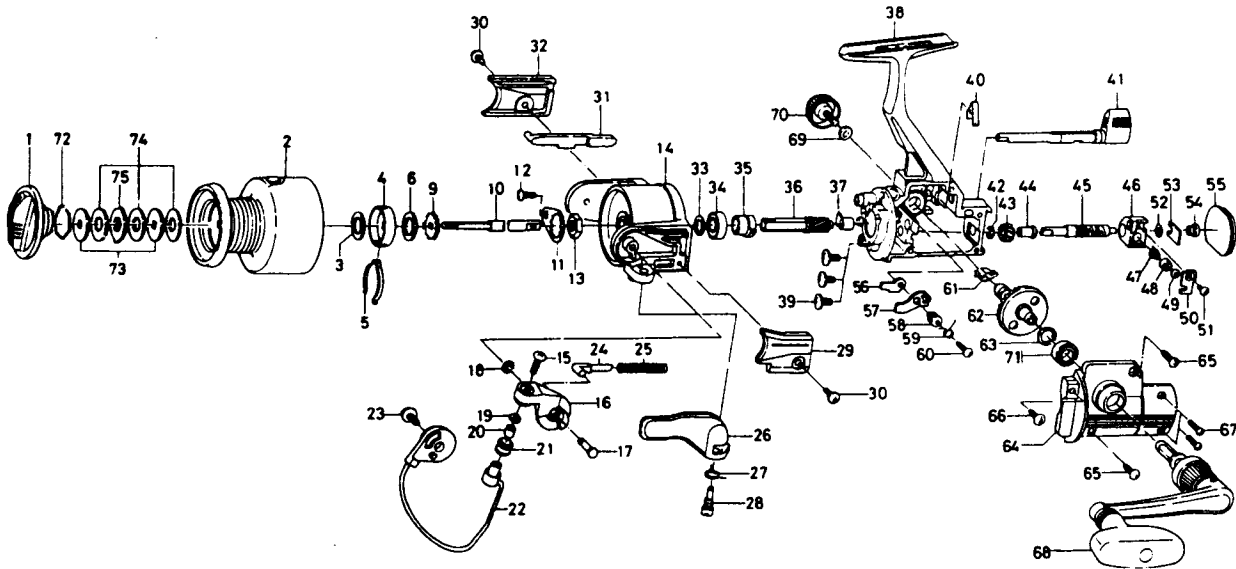


SPINNING REEL — ST1605



Key No. 2.72-75
E27-7404 Spool assembly

Key No.	Part No.	Part Name	Price	Key No.	Part No.	Part Name	Price
1	E27-8102	Drag knob	6.30	40	E26-8701	Anti-reverse cam spring	.55
2	E27-7504	Spool assembly	N/A*	41	E37-6002	Anti-reverse lever	1.30
3	375-4200	Spool washer	.35	42	320-5901	Worm shaft gear retainer	.50
4	E12-2302	Click leaf spring holder	1.90	43	E42-0501	Worm shaft gear	1.60
5	B74-7702	Spool click leaf spring	.45	44	E45-1101	Worm shaft bush	.90
6	E39-7901	Main shaft washer	.60	45	E37-6401	Worm shaft	7.35
9	E41-3101	Click gear	.60	46	E37-6301	Oscillating slider	3.70
10	E48-2101	Main shaft	2.60	47	E19-1202	Oscillating pawl	4.95
11	B66-2601	Rotor nut holding plate	1.10	48	E19-1301	Oscillating pawl bush	2.80
12	B93-3001	Rotor nut holding plate screw	.45	49	375-0800	Oscillating pawl washer	.40
13	B10-5701	Rotor nut	.65	50	E37-6901	Oscillating slider cover	.90
14	F01-1501	Rotor	6.40	51	E40-1501	Oscillating slider cover screw	.70
15	B67-9304	Line roller screw	.40	52	375-4100	Worm shaft washer	.30
16	E36-9501	Bail arm	1.65	53	E36-3801	Worm shaft retainer	.70
17	E36-9601	Bail arm screw	1.10	54	E39-3601	Worm shaft collar	1.10
18	320-5901	Bail arm screw retainer	.50	55	F01-9514	Rear cover	2.80
19	B55-4301	Line roller washer	.40	56	B96-5301	Anti-reverse pawl plate	.75
20	B45-1501	Line roller collar	.60	57	E27-7002	Anti-reverse pawl	1.10
21	250-3921	Line roller	.90	58	B96-5501	Anti-reverse pawl collar	.95
22	E38-6501	Bail assembly	5.00	59	B96-5601	Anti-reverse pawl spring A	.70
23	E00-7101	Bail trip cam screw	.45	60	B00-9701	Anti-reverse pawl screw	.45
24	E36-4401	Bail spring shaft	.70	61	E37-7201	Anti-reverse pawl spring B	1.65
25	E39-0601	Ball spring	.60	62	E41-8601	Drive gear	3.90
26	E36-9801	Trigger lever	2.70	63	373-7802	Drive gear washer	.40
27	E36-9901	Trigger spring	.70	64	E38-6104	Side cover	4.10
28	E41-7801	Trigger screw	1.15	65	E15-8601	Side cover screw A	.60
29	F01-1703	Bail spring cover	1.20	66	E15-8602	Side cover screw B	.60
30	E36-4201	Bail spring cover screw	.60	67	E11-9601	Side cover screw C	.70
31	F01-1602	Bail trip lever	1.70	68	E41-8701	Handle assembly	8.75
32	E37-8203	Bail trip cover	1.25	69	F02-0201	Handle lock washer	.35
33	371-2827	Bearing washer	.60	70	F03-5601	Handle lock screw	1.65
34	B54-6001	Ball bearing A	7.70	71	631-6901	Ball bearing B	6.85
35	E40-1001	Anti-reverse ratchet	1.10	72	170-4101	Drag washer retainer	.35
36	E41-8501	Pinion gear	6.80	73	E27-7801	Key washer	.70
37	B88-0001	Pinion collar	.90	74	B36-0204	Drag washer	.95
38	E48-0401	Body assembly	11.00	75	372-3832	Eared washer	.95
39	E03-7801	Bearing retainer screw	.60				