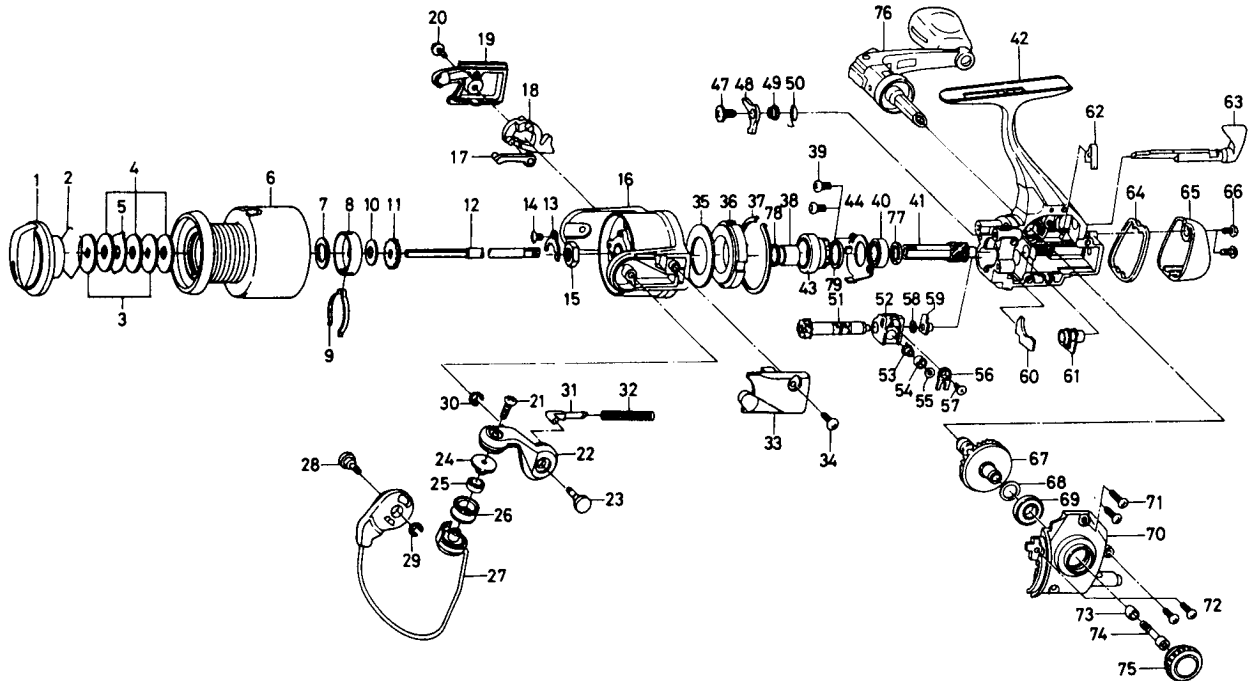


SPINNING REEL TD1300i



No. 2-6 6-E27-2210

Spool assembly

Key NO.	Parts No.	Parts Name	Key NO.	Parts No.	Parts Name
1	F17-0905	Drag knob	40	636-6401	Ball bearing B
2	171-7701	Drag washer retainer	41	F16-2502	Pinion gear
3	E13-6101	Key washer	42	F26-4001	Body assembly
4	E13-6001	Drag washer	43	F15-1201	Anti-reverse ratchet
5	E13-6201	Eared washer	44	F15-1102	Bearing retainer
6	E27-2310	Spool assembly	47	L00-1801	Anti-reverse pawl screw
7	E39-4001	Spool washer	48	F15-1501	Anti-reverse pawl
8	E12-2303	Click leaf spring holder	49	F15-8301	Anti-reverse pawl collar
9	B74-7702	Spool click leaf spring	50	F15-1601	Anti-reverse pawl spring
10	375-4202	Main shaft washer	51	F17-8001	Worm shaft
11	E36-5301	Click gear	52	F02-4301	Oscillating slider
12	E50-2102	Main shaft	53	E19-1202	Oscillating pawl
13	B99-5101	Rotor nut holding plate	54	E19-1301	Oscillating pawl bush
14	E24-8101	Rotor nut holding plate screw	55	375-0800	Oscillating pawl washer
15	341-9203	Rotor nut	56	E24-4901	Oscillating slider cover
16	F26-5801	Rotor	57	E15-0203	Oscillating slider cover screw
17	F01-4301	Bail trip plate	58	B53-6100	Worm shaft washer
18	F01-4401	Bail trip lever	59	F05-6901	Worm shaft collar
19	F17-6904	Bail trip cover	60	F08-7201	Shield plate
20	E36-4201	Bail trip cover screw	61	F08-7101	Pinion collar
21	B67-9305	Line roller screw	62	E26-8701	Anti-reverse cam spring
22	F17-6505	Bail arm	63	F16-2803	Anti-reverse lever
23	F15-2501	Bail arm screw	64	F16-3903	Water shield
24	F06-6301	Line roller collar	65	F16-4003	Rear cover
25	F05-5601	Ball bearing A	66	E24-8102	Rear cover screw
26	F05-8901	Line roller	67	F00-7102	Drive gear
27	F17-8101	Bail assembly	68	375-8500	Drive gear washer
28	F15-2501	Bail trip cam screw	69	637-5701	Ball bearing C
29	320-5901	Bail trip cam screw retainer	70	F17-6203	Side cover
30	320-5901	Bail arm screw retainer	71	E13-0501	Side cover screw A
31	F24-6801	Bail spring shaft	72	E13-0502	Side cover screw B
32	F26-8301	Bail spring	73	F16-9301	Handle collar
33	F17-6604	Bail spring cover	74	F30-3701	Handle screw
34	E24-8102	Bail spring cover screw	75	F15-4402	Handle screw cap
35	F19-7201	Oiled washer	76	F26-4101	Handle assembly
36	F15-3301	Roller clutch	77	F26-3101	Spacer
37	F21-2501	Roller clutch retainer	78	375-8507	Rotor washer
38	F15-5101	Spacing sleeve	79	F26-8501	Ball bearing collar
39	F21-2201	Bearing retainer screw			