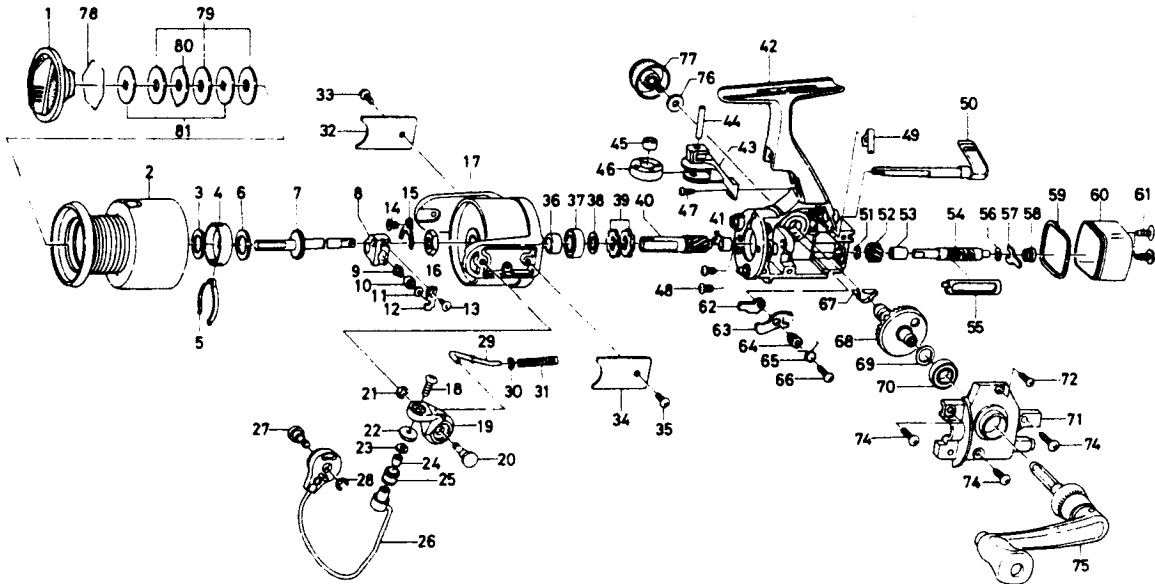


SPINNING REEL TG1300H



Key No.

Key No.	Parts No.	Parts Name
1	E27-2802	Drag knob
2	E27-2202	Spool assembly
3	E13-5901	Spool washer
4	E12-2303	Click leaf spring holder
5	B74-7702	Spool click leaf spring
6	375-4200	Main shaft washer
7	E27-1801	Main shaft assembly
8	E24-4401	Oscillating slider
9	E19-1201	Oscillating pawl
10	E19-1301	Oscillating pawl bush
11	375-0800	Oscillating pawl washer
12	E24-4901	Oscillating slider cover
13	E15-0202	Oscillating slider cover screw
14	351-1804	Rotor nut holding plate screw
15	B99-5101	Rotor nut holding plate
16	341-9201	Rotor nut
17	E11-3804	Rotor
18	B67-9302	Line roller screw
19	B68-1104	Bail arm
20	E11-6101	Bail arm screw
21	320-5901	Bail arm screw retainer
22	B97-9801	Line roller collar
23	B55-4301	Line roller washer
24	B45-1501	Line roller bushing
25	250-3921	Line roller
26	E31-1601	Bail
27	E22-5501	Bail trip cam screw
28	320-5901	Bail trip cam screw retainer
29	E11-5801	Bail spring shaft
30	E11-5901	Bail spring washer
31	E11-6001	Bail spring
32	E11-6201	Bail trip cover
33	B93-3001	Bail trip cover screw
34	E11-6201	Bail spring cover
35	B93-3001	Bail spring cover screw
36	E27-1701	Spacing sleeve
37	636-6401	Ball bearing A
38	B99-4501	Ball bearing retaining washer
39	E27-1501	Anti-reverse ratchet
40	F00-5501	Pinion gear

Key No.

Key No.	Parts No.	Parts Name
41	E24-3301	Pinion holder
42	E31-2502	Body
43	E11-4502	Bail kick knock
44	E11-4801	Bail kick roller pin
45	E11-4701	Bail kick roller collar
46	E11-4604	Bail kick roller
47	E02-7401	Bail kick knock screw
48	E03-7801	Bearing retainer screw
49	E26-8701	Anti-reverse cam spring
50	E24-3403	Anti-reverse lever
51	B33-9801	Worm shaft gear retainer
52	F00-5601	Worm shaft gear
53	E19-0901	Worm shaft bush
54	E27-1601	Worm shaft
55	E24-4501	Worm shield cover
56	373-1300	Worm shaft washer
57	E24-5101	Worm shaft retainer
58	E19-1101	Worm shaft collar
59	E30-3801	Water shield
60	E24-7304	Rear cover
61	E24-7401	Rear cover screw
62	B95-8301	Anti-reverse pawl plate
63	E27-1301	Anti-reverse pawl
64	B95-9501	Anti-reverse pawl collar
65	B95-9602	Anti-reverse pawl spring A
66	B00-8601	Anti-reverse pawl screw
67	E24-5301	Anti-reverse pawl spring B
68	F00-5701	Drive gear
69	375-8500	Drive gear washer
70	634-1300	Ball bearing B
71	E24-5403	Left side cover
72	E11-9602	Side cover screw A
74	E15-8602	Side cover screw B
75	E31-1201	Handle assembly
76	B92-4902	Handle lock washer
77	E31-1401	Handle lock screw
78	171-7701	Drag washer retainer
79	E13-6001	Drag washer
80	E13-6201	Eared washer
81	E13-6101	Key washer