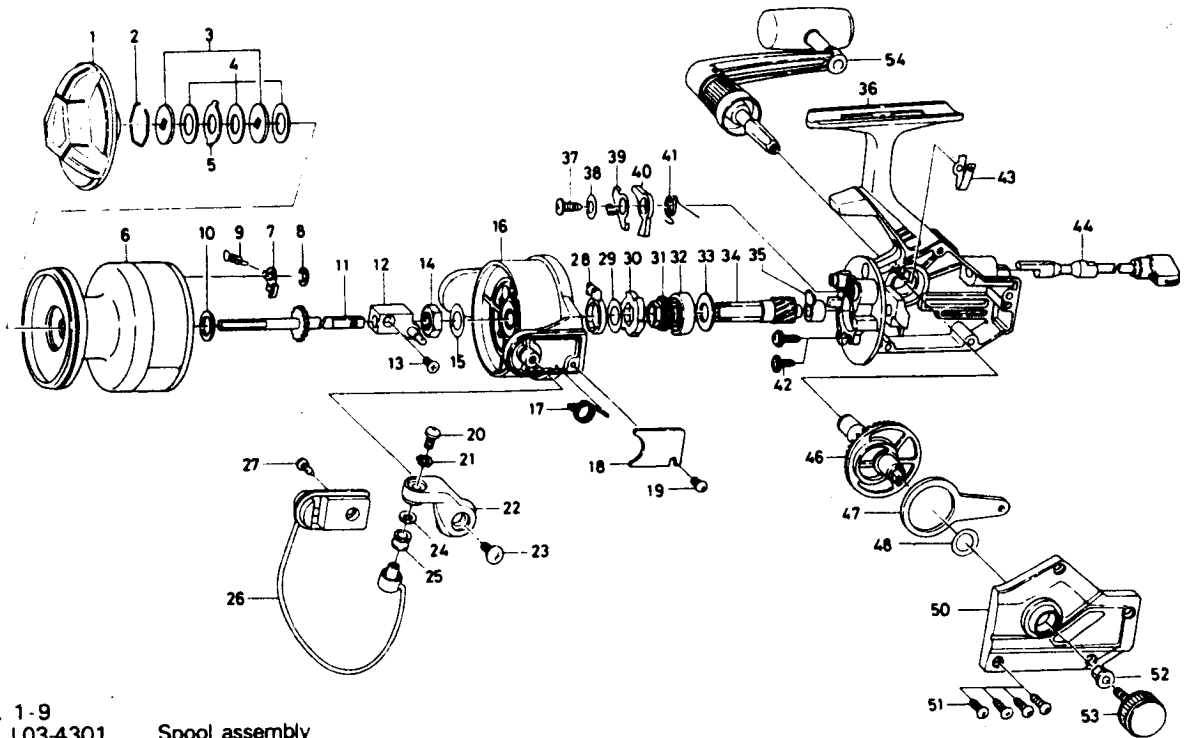


# SPINNING REEL TL7000B



Key No. 1-9  
L03-4301 Spool assembly

Key No.	Parts No.	Parts Name
1	L03-4701	Drag knob
2	171-7701	Drag washer retainer
3	L01-8002	Key washer
4	375-7802	Drag washer
5	B89-9501	Eared washer
6	L03-4401	Spool assembly
7	B07-8201	Click pawl
8	320-1402	Click retainer
9	145-2101	Click spring
10	L03-4201	Spool washer
11	L03-3901	Main shaft
12	L00-7501	Oscillating support
13	351-8901	Oscillating support screw
14	340-8301	Rotor nut
15	L03-3801	Rotor nut washer
16	L00-6801	Rotor assembly
17	144-2201	Bail spring
18	L00-6904	Bail spring cover
19	B83-4401	Bail spring cover screw
20	353-9702	Line roller screw
21	160-8101	Lock washer
22	E00-7501	Bail arm
23	E00-7601	Bail arm screw
24	373-4501	Line roller washer
25	250-4221	Line roller
26	L01-2504	Bail

Key No.	Parts No.	Parts Name
27	L01-1701	Bail trip cam screw
28	L00-6701	Spring holder
29	L03-3801	Rotor washer
30	L00-6301	Anti-reverse ratchet
31	L00-6201	Click gear
32	637-6101	Ball bearing
33	B90-9201	Bearing washer
34	L00-6101	Pinion gear
35	L00-6001	Pinion holder
36	L03-3705	Body
37	E00-7302	Anti-reverse pawl screw
38	371-0604	Anti-reverse pawl washer
39	L00-6501	Anti-reverse pawl plate
40	L00-6401	Anti-reverse pawl
41	L00-6601	Anti-reverse pawl spring
42	L01-1601	Bearing retainer screw
43	E01-1801	Stopper leaf spring
44	L00-5703	Anti-reverse lever
46	L00-7801	Drive gear
47	L00-7901	Oscillating slider
48	371-2800	Drive gear washer
50	L00-8008	Side cover
51	B83-5001	Side cover screw
52	501-8401	Handle collar
53	L00-9102	Handle lock screw
54	L01-2901	Handle assembly