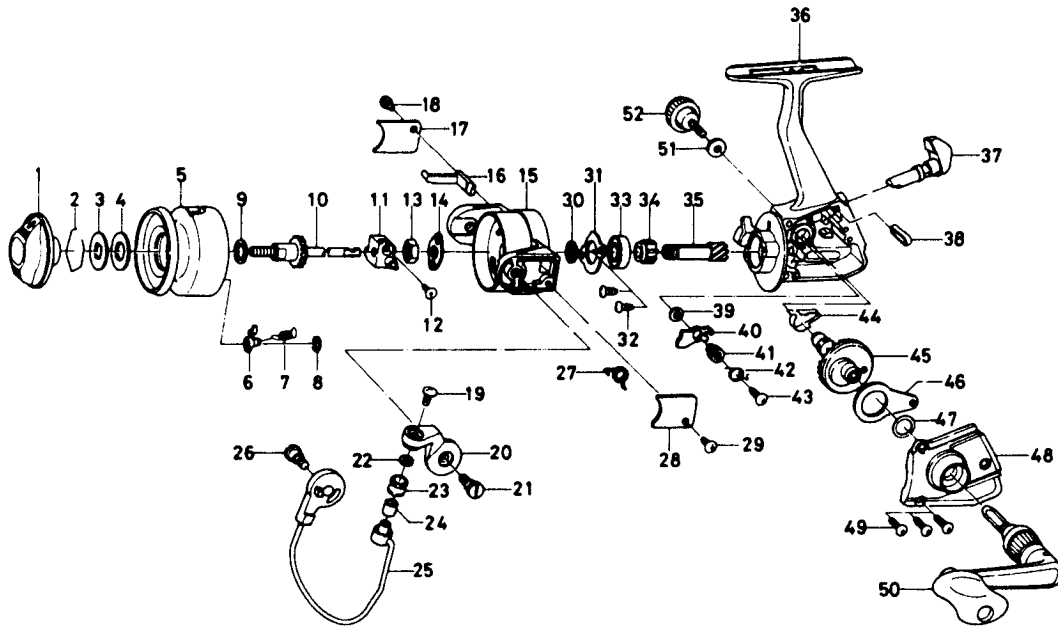


SPINNING REEL UL7



Key No. 1-8
F00-6501 Spool assembly

| Key No. | Parts No. | Parts Name | Key No. | Parts No. | Parts Name |
|---------|------------|--------------------------|---------|------------|----------------------------|
| 1 | 6-E32-2001 | Drag knob | 27 | 6-E32-0201 | Bail spring |
| 2 | 6-170-4001 | Drag washer retainer | 28 | 6-E31-9701 | Bail spring cover |
| 3 | 6-E32-5201 | Key washer | 29 | 6-E24-8102 | Bail spring cover screw |
| 4 | 6-E32-5101 | Drag washer | 30 | 6-B12-8701 | Rotor washer |
| 5 | 6-F00-6401 | Spool | 31 | 6-E32-4901 | Bearing retainer A |
| 6 | 6-B07-5301 | Click pawl | 32 | 6-B93-3001 | Bearing retainer screw |
| 7 | 6-144-1211 | Click spring | 33 | 6-E18-2801 | Ball bearing |
| 8 | 6-320-5901 | Click retainer | 34 | 6-E11-4201 | Anti-reverse ratchet |
| 9 | 6-E32-5001 | Spool washer | 35 | 6-E32-3401 | Pinion gear |
| 10 | 6-E32-0801 | Main shaft assembly | 36 | 6-E31-8701 | Body assembly |
| 11 | 6-481-2601 | Oscillating slider | 37 | 6-E31-9001 | Anti-reverse lever |
| 12 | 6-E15-0201 | Oscillating slider screw | 38 | 6-E31-9101 | Anti-reverse lever spring |
| 13 | 6-342-4001 | Rotor nut | 39 | 6-E15-3101 | Anti-reverse pawl washer |
| 14 | 6-E09-7601 | Rotor plate | 40 | 6-E31-9201 | Anti-reverse pawl |
| 15 | 6-E31-9401 | Rotor | 41 | 6-E03-3001 | Anti-reverse pawl collar |
| 16 | 6-E31-9801 | Bail trip lever | 42 | 6-E31-9301 | Anti-reverse pawl spring A |
| 17 | 6-E31-9701 | Bail trip cover | 43 | 6-B00-8601 | Anti-reverse pawl screw |
| 18 | 6-E24-8102 | Bail trip cover screw | 44 | 6-E32-0401 | Anti-reverse pawl spring B |
| 19 | 6-352-2503 | Line roller screw | 45 | 6-E32-0301 | Drive gear |
| 20 | 6-E31-9501 | Bail arm | 46 | 6-E32-0601 | Oscillating support |
| 21 | 6-E31-9601 | Bail arm screw | 47 | 6-375-8500 | Drive gear washer |
| 22 | 6-B55-4301 | Line roller washer | 48 | 6-E32-1001 | Side cover |
| 23 | 6-250-3921 | Line roller | 49 | 6-E13-0502 | Side cover screw |
| 24 | 6-B45-1501 | Line roller bushing | 50 | 6-E32-1301 | Handle assembly |
| 25 | 6-E31-9901 | Bail | 51 | 6-B92-4901 | Handle lock washer |
| 26 | 6-E31-9601 | Bail trip cam screw | 52 | 6-E03-5502 | Handle lock screw |