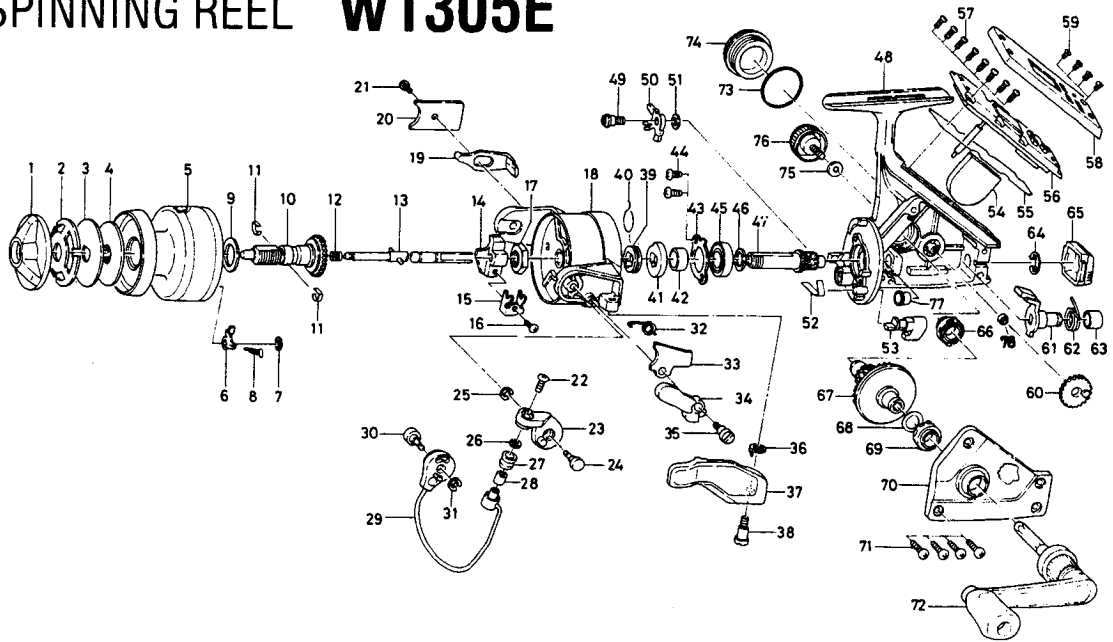


SPINNING REEL W1305E



Key No.	Parts No.	Parts Name	Key No.	Parts No.	Parts Name
1	B44-0303	Drag knob	40	145-0902	Anti-reverse pawl spring
2	B44-0201	Drag spring washer	41	B67-4301	Anti-reverse ratchet
3	B44-0101	Key washer	42	B44-0401	Spacer
4	B44-0001	Drag washer	43	B35-6301	Bearing retainer
5	E11-0301	Spool assembly	44	B83-4402	Bearing retainer screw
6	B07-5302	Click pawl	45	B55-3401	Ball bearing
7	320-5901	Click retainer	46	B55-5001	Bearing washer
8	144-1211	Click spring	47	B43-5801	Pinion gear
9	B43-9901	Spool washer	48	E10-6301	Body
10	B99-9602	Spool metal	49	B44-0502	Anti-reverse pawl screw
11	151-9501	Spool metal leaf spring	50	B74-5501	Anti-reverse pawl
12	B60-1701	Main shaft spring	51	375-2001	Anti-reverse pawl washer
13	E10-9201	Main shaft assembly	52	E10-7501	Anti-reverse lever spring
14	B67-6301	Oscillating slider	53	E10-7601	Anti-reverse lever
15	B62-0801	Oscillating slider retainer	54	E13-3801	Battery box
16	351-1804	Oscillating block screw	55	E10-6701	I.C. Indicator "O" ring
17	B10-5701	Rotor nut	56	E10-6601	IC indicator
18	E10-7801	Rotor assembly	57	E10-6801	IC Indicator screw
19	E10-8701	Bail trip lever	58	E10-6901	IC indicator cover
20	E10-8801	Bail trip cover	59	E11-4301	IC indicator cover screw
21	B83-4402	Bail trip cover screw	60	413-4503	Oscillating gear
22	B67-9302	Line roller screw	61	E10-9401	Drag tension sensor metal
23	B67-4601	Bail arm	62	E10-9701	Drag tension sensor metal spring
24	B83-3801	Bail arm screw	63	E13-4901	Drag tension sensor metal collar
25	320-5901	Bail arm screw retainer	64	B01-3101	Metal retainer
26	B55-4301	Line roller washer	65	E10-9801	Rear cover
27	250-3921	Line roller	66	B84-3901	Bushing A
28	B45-1501	Line roller bushing	67	E10-8901	Drive gear
29	E10-8201	Bail	68	373-7800	Drive gear washer
30	B83-4202	Bail trip cam screw	69	B84-3901	Bushing B
31	320-5901	Bail trip cam screw retainer	70	E10-9901	Side cover
32	B83-3701	Bail spring	71	B00-9701	Side cover screw
33	B83-3903	Bail spring cover	72	E11-8801	Handle assembly
34	B67-4901	Trigger plate	73	E10-7101	Battery cover "O" ring
35	B68-8801	Bail spring cover screw	74	E10-7201	Battery cover
36	B67-5201	Trigger spring	75	B92-4901	Handle lock washer
37	B67-5105	Trigger lever	76	E00-1805	Handle lock screw
38	B68-8801	Trigger screw	77	B43-5701	Pinion collar
39	B68-6401	Spring holder	78	E15-0401	Oscillating gear collar