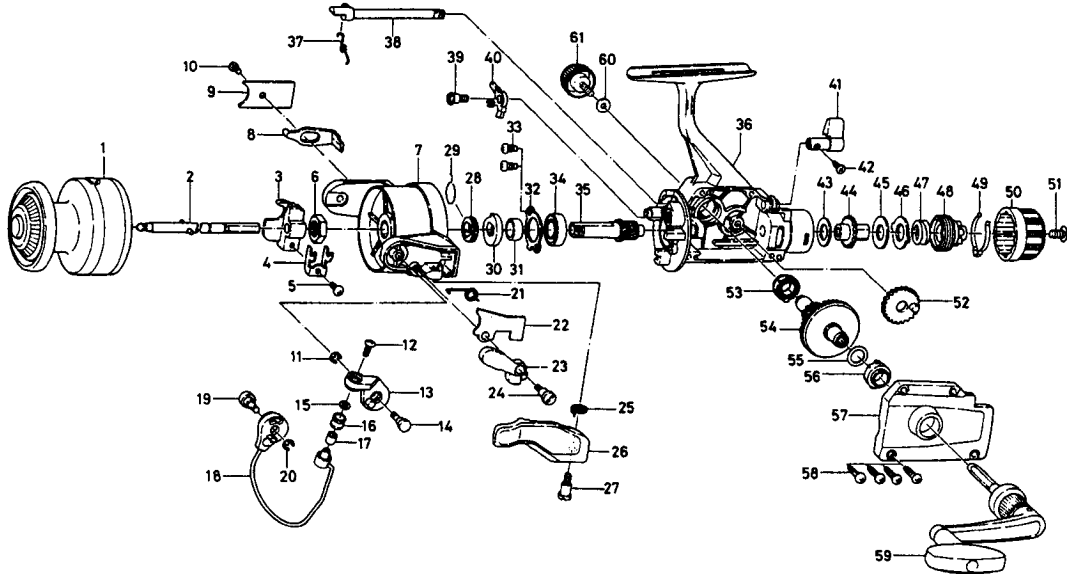


# SPINNING REEL WG1655



Key No.	Parts No.	Parts Name	Key No.	Parts No.	Parts Name
1	E09-8801	Spool assembly	32	B35-6301	Bearing retainer
2	B83-9801	Main shaft	33	B83-4402	Bearing retainer screw
3	B64-0102	Oscillating slider	34	636-6011	Ball bearing
4	B49-2501	Oscillating slider retainer	35	B83-6101	Pinion gear
5	351-1804	Oscillating slider screw	36	E09-8501	Body
6	B10-5701	Rotor nut	37	144-0321	Anti-reverse cam spring
7	B82-1903	Rotor	38	B83-6001	Anti-reverse cam
8	B83-6701	Bail trip lever	39	B83-6301	Anti-reverse pawl screw
9	B76-9703	Bail trip cover	40	B74-5501	Anti-reverse pawl
10	B83-4401	Bail trip cover screw	41	B63-8101	Anti-reverse lever
11	320-5901	Bail arm screw retainer	42	B12-8201	Anti-reverse lever screw
12	B67-9303	Line roller screw	43	B46-9504	Drag washer A
13	B67-4601	Bail arm	44	B76-9803	Click gear
14	B83-3801	Bail arm screw	45	373-3710	Drag washer B
15	B55-4301	Line roller washer	46	B83-9501	Eared washer
16	250-3921	Line roller	47	B98-2901	Drag coil spring
17	B45-1501	Line roller bushing	48	B77-0004	Drag screw
18	B83-6501	Bail	49	B77-0301	Drag washer spring
19	B83-4201	Bail trip cam screw	50	B83-9604	Drag knob
20	320-5901	Bail trip cam screw retainer	51	352-1105	Drag knob spring screw
21	B76-9101	Bail spring	52	B74-3701	Oscillating gear
22	B83-6401	Bail spring cover	53	B84-3901	Bushing
23	B76-9301	Trigger plate	54	B83-6801	Drive gear
24	B68-8801	Bail spring cover screw	55	373-7800	Drive gear washer
25	B67-5201	Trigger spring	56	B84-3901	Bushing
26	B67-5105	Trigger lever	57	E09-8601	Side cover
27	B68-8802	Trigger screw	58	B83-5001	Side cover screw
28	B68-6401	Spring holder	59	E00-2501	Handle assembly
29	145-0901	Anti-reverse pawl spring	60	B92-4901	Handle lock washer
30	B67-4301	Anti-reverse ratchet	61	E00-1801	Handle lock screw
31	B83-6201	Spacing sleeve			