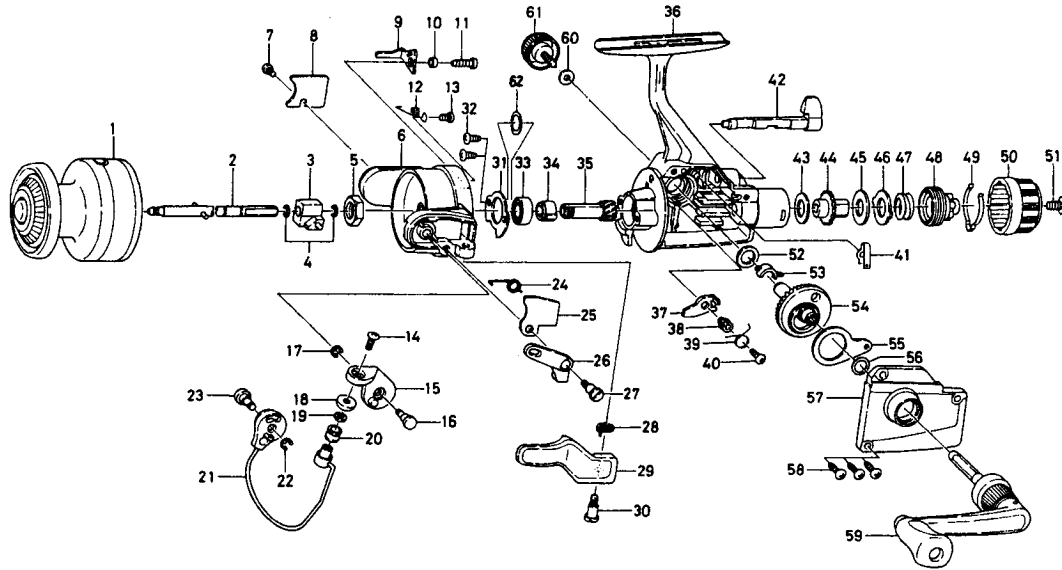


## SPINNING REEL WG755



Key No.	Parts No.	Parts Name	Key No.	Parts No.	Parts Name
1	E09-8001	Spool assembly	32	B93-3001	Bearing retainer screw
2	E07-0101	Main shaft	33	B18-1601	Ball bearing
3	B98-6501	Oscillating slider	34	E04-5601	Anti-reverse ratchet
4	E04-0601	Oscillating slider retainer	35	E03-6101	Pinion gear
5	342-4001	Rotor nut	36	E09-7701	Body
6	E04-5702	Rotor	37	E03-2901	Anti-reverse pawl
7	B93-3002	Bail trip cover screw	38	E03-3001	Anti-reverse pawl collar
8	E04-8401	Bail trip cover	39	B95-9601	Anti-reverse pawl spring
9	B59-1003	Bail trip lever	40	E12-7601	Anti-reverse pawl screw
10	E05-3201	Bail trip lever collar	41	B58-8601	Anti-reverse lever spring
11	B96-7601	Bail trip lever screw	42	E03-2802	Anti-reverse lever
12	B59-1201	Lever spring	43	B58-9104	Drag washer A
13	B93-3001	Lever spring screw	44	E03-5101	Click gear
14	352-2503	Line roller screw	45	B58-9106	Drag washer B
15	E04-5901	Bail arm	46	B58-9501	Eared washer
16	E04-6001	Bail arm screw	47	B58-9801	Drag coil spring
17	320-5901	Bail arm retainer	48	E03-3101	Drag screw
18	B97-9801	Line roller collar	49	E03-3201	Drag washer spring
19	B55-4301	Line roller washer	50	E03-3304	Drag knob
20	250-3921	Line roller	51	353-8203	Drag knob screw
21	E04-6701	Bail	52	E03-4501	Drive gear washer A
22	320-5901	Bail trip cam retainer	53	B96-0801	Drive gear collar
23	E04-8601	Bail trip cam screw	54	E03-6301	Drive gear
24	E04-5801	Bail spring	55	481-1331	Oscillating slider
25	E04-6101	Bail spring cover	56	375-8500	Drive gear washer B
26	E04-6201	Trigger plate	57	E09-7801	Side cover
27	E04-6301	Bail spring cover screw	58	B83-5001	Side cover screw
28	B67-5201	Trigger spring	59	E09-4201	Handle assembly
29	E04-6401	Trigger lever	60	B92-4901	Handle lock washer
30	E04-6302	Trigger screw	61	E03-5501	Handle lock screw
31	E15-0170	Bearing retainer			