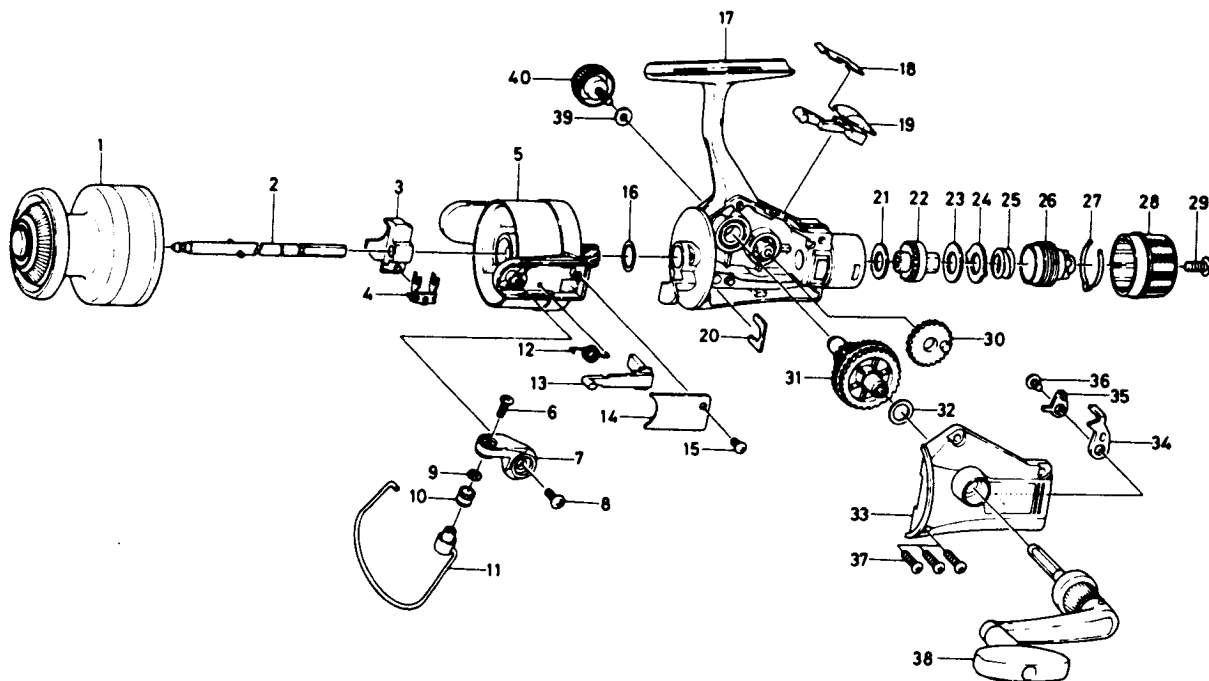


# SPINNING REEL — J1650L / 2050L



### Key

No.	Part No.	Part Name	Price
1	B78-4607	Spool	7.25
2	B77-0801	Main shaft	1.65
3	B93-7101	Oscillating slider	.55
4	B93-7201	Oscillating slider retainer	.50
5	K06-2101	Rotor	5.00
6	B67-9301	Line roller screw	.40
7	B91-6701	Bail arm	.90
8	351-6102	Bail arm screw	.50
9	B55-4301	Line roller washer	.40
10	250-3921	Line roller	.75
11	B93-6801	Bail	2.00
12	B91-6501	Bail spring	.50
13	B93-6602	Bail trip lever	.90
14	B93-6702	Bail spring cover	.55
15	352-0402	Bail spring cover screw	.45
16	372-8601	Spool washer	.35
17	K06-2001	Body	4.25
18	B79-0101	Anti-reverse cam spring	.55
19	B84-8901	Anti-reverse lever	.60
20	B60-3401	Pinion retainer	.45
21	B78-6601	Drag washer A	.50
22	B76-9804	Click gear	.75
23	B46-9505	Drag washer B	.45
24	373-3601	Eared washer	.55

### Key

No.	Part No.	Part Name	Price
25	B91-3701	Drag coil spring	.65
26	B77-0003	Drag screw	.50
27	B77-0301	Drag washer spring	.45
28	B77-0401	Drag knob	.65
29	352-1103	Drag knob spring screw	.55
30	B74-3701	Oscillating gear	.70
31	B93-7001	Drive gear	2.30
32	373-7808	Drive gear washer	.40
33	K06-2201	Side cover	2.40
34	E05-2001	Anti-reverse pawl	.45
35	B50-1201	Anti-reverse pawl plate	.60
36	351-6102	Anti-reverse pawl screw	.50
37	351-8504	Side cover screw	.50
38	B93-7601	Handle	5.75
39	B92-4902	Handle lock washer	.35
40	B92-5001	Handle screw cap	.80

### 2050L Special Parts:

1	B78-4407	Spool	7.75
5	K06-1801	Rotor	5.25
11	B93-8501	Bail	2.00
17	K06-1701	Body	4.50
33	K06-1901	Side cover	2.40
38	B93-8701	Handle	5.80