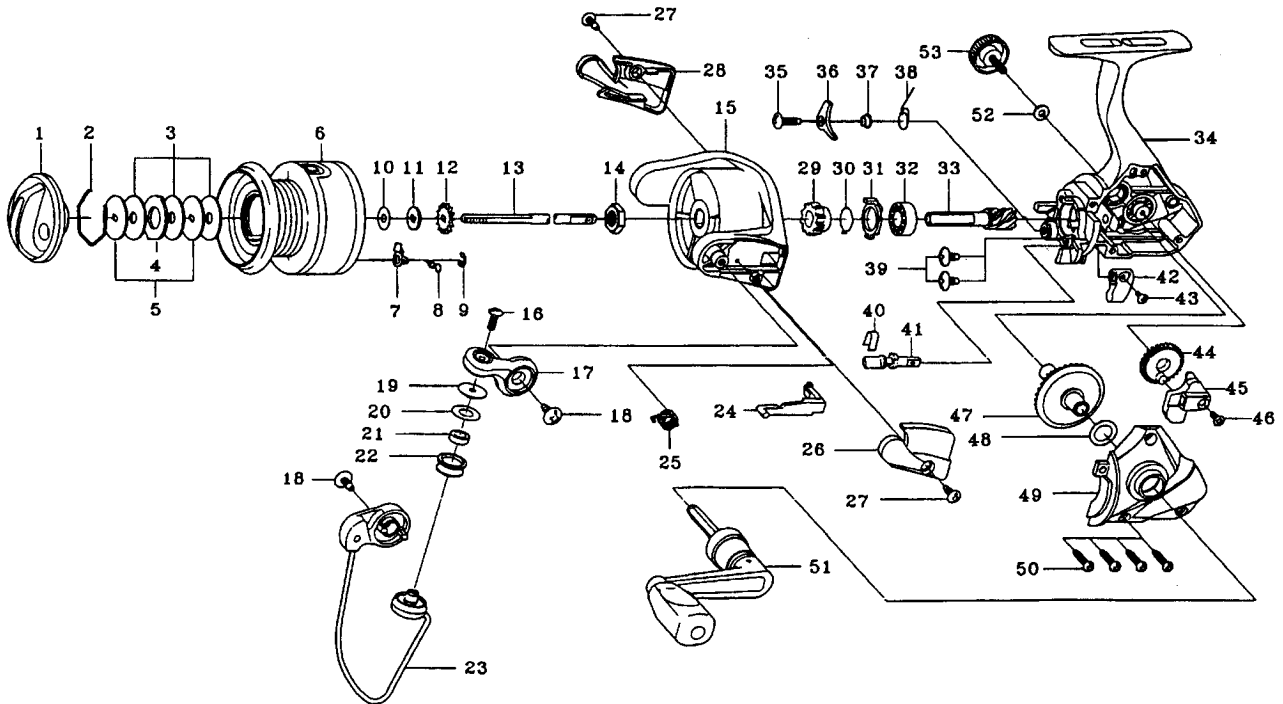


SPINSTAR-X2500C



Key No.	Parts No.	Parts Name
2-9	G04-9801	SPOOL
1	F32-2107	DRAG KNOB
2	171-7701	DRAG WASHER RET
3	E13-6003	DRAG WASHER
4	373-3603	EARED WASHER
5	E46-7201	KEY WASHER
7	B07-5304	CLICK PAWL
8	E40-3101	CLICK SPRING
9	320-5901	CLICK RET
10	E39-8000	SPOOL WASHER A
11	E46-7101	SPOOL WASHER B
12	270-6501	CLICK GEAR
13	F99-0601	MAIN SHAFT
14	341-9201	ROTOR NUT
15	F31-1407	ROTOR
16	B67-9304	LINE ROLLER SCREW
17	F61-9203	BAIL ARM
18	B84-2102	BAIL HOLDER SCREW
19	F44-6302	ROLLER COLLAR
20	F44-6202	LINE ROLLER WASHER
21	F47-3401	LINE ROLLER BUSHING
22	F47-2402	LINE ROLLER
23	F99-1602	BAIL
24	E45-1601	BAIL TRIP LEVER
25	F12-8901	BAIL SPRING
26	F31-0327	BAIL SPRING COVER
27	E36-4202	BAIL HOLDER COVER SCREW

Key No.	Parts No.	Parts Name
28	F31-0407	BAIL HOLDER COVER
29	F31-1502	A/R RATCHET
30	F19-6301	A/R PAWL SPRING B
31	F19-6201	A/R COLLAR
32	L03-6601	BALL BEARING
33	E51-9801	PINION GEAR
34	G04-9601	BODY
35	L00-1801	A/R PAWL SCREW
36	F19-5301	A/R PAWL
37	L01-4302	A/R PAWL COLLAR
38	L00-1501	A/R PAWL SPRING A
39	E03-7801	BEARING RET SCREW
40	F19-5201	A/R CAM SPRING
41	F98-9301	A/R CAM
42	F98-9202	A/R LEVER
43	F98-9401	A/R LEVER SCREW
44	F67-7401	OSC GEAR
45	F98-9601	OSC SLIDER
46	351-0315	OSC SLIDER SCREW
47	F17-0001	DRIVE GEAR
48	373-7808	DRIVE GEAR WASHER
49	F99-0802	SIDE COVER
50	E15-8602	SIDE COVER SCREW
51	G04-9701	HANDLE
52	F02-0201	HANDLE WASHER
53	B92-5012	HANDLE SCREW