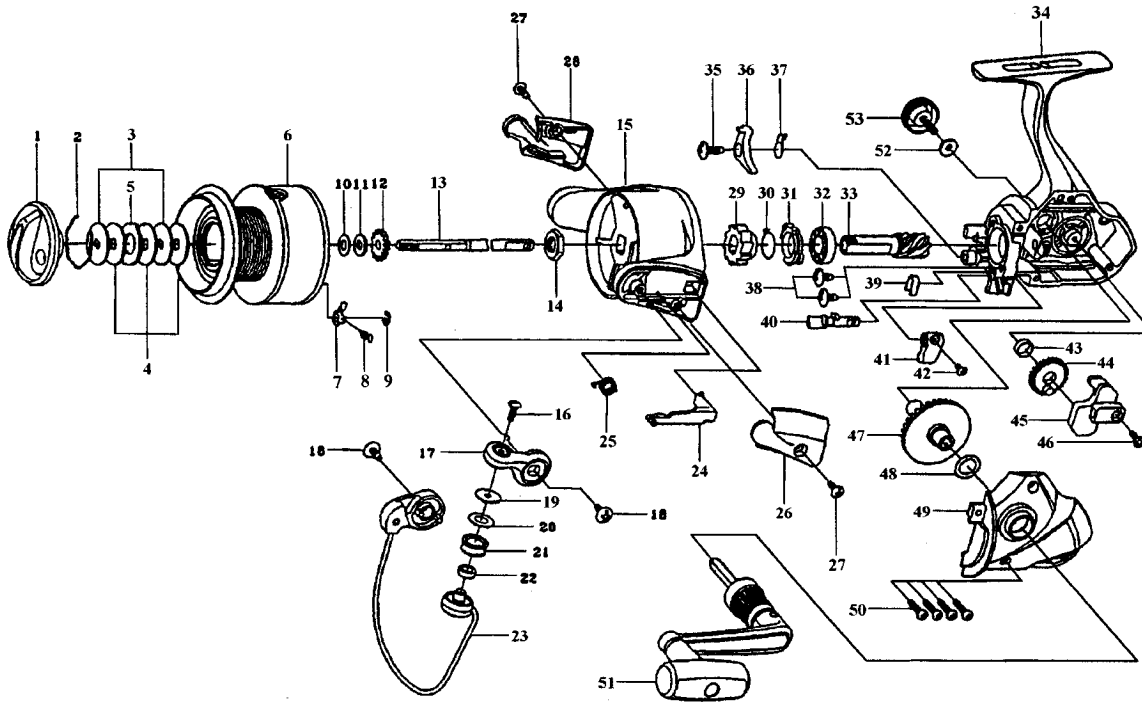


SPINSTAR-X3500C / 4000C



| Key No. | Parts No. | Parts Name |
|---------|-----------|-------------------------|
| 2-9 | G07-1101 | SPOOL |
| 1 | F32-9507 | DRAG KNOB |
| 2 | 171-7701 | DRAG WASHER RET |
| 3 | F09-4901 | KEY WASHER |
| 4 | E13-6003 | DRAG WASHER |
| 5 | 373-3603 | EARED WASHER |
| 7 | B07-5304 | CLICK PAWL |
| 8 | E40-3101 | CLICK SPRING |
| 9 | 320-5901 | CLICK RET |
| 10 | F09-4800 | SPOOL WASHER A |
| 11 | F09-4701 | SPOOL WASHER B |
| 12 | E46-2701 | CLICK GEAR |
| 13 | F99-2301 | MAIN SHAFT |
| 14 | 340-6602 | ROTOR NUT |
| 15 | F31-3907 | ROTOR |
| 16 | B67-9304 | LINE ROLLER SCREW |
| 17 | F61-9203 | BAIL ARM |
| 18 | B84-2102 | BAIL HOLDER SCREW |
| 19 | F44-6302 | ROLLER COLLAR |
| 20 | F44-6202 | LINE ROLLER WASHER |
| 21 | F45-4901 | LINE ROLLER |
| 22 | F47-3401 | LINE ROLLER BUSHING |
| 23 | F99-2702 | BAIL |
| 24 | E46-2101 | BAIL TRIP LEVER |
| 25 | F12-8901 | BAIL SPRING |
| 26 | F31-4321 | BAIL SPRING COVER |
| 27 | E36-4202 | BAIL HOLDER COVER SCREW |
| 28 | F31-4407 | BAIL HOLDER COVER |
| 29 | F31-9801 | A/R RATCHET |
| 30 | F20-1101 | A/R PAWL SPRING B |
| 31 | F20-1001 | A/R COLLAR |

| Key No. | Parts No. | Parts Name |
|---------|-----------|-------------------|
| 32 | L03-6502 | BALL BEARING |
| 33 | E52-0101 | PINION GEAR |
| 34 | G07-0901 | BODY |
| 35 | E00-7101 | A/R PAWL SCREW |
| 36 | F19-9901 | A/R PAWL |
| 37 | F19-9801 | A/R PAWL SPRING |
| 38 | E03-7801 | BEARING RET SCREW |
| 39 | F19-5201 | A/R CAM SPRING |
| 40 | F98-9301 | A/R CAM |
| 41 | F98-9202 | A/R LEVER |
| 42 | F98-9401 | A/R LEVER SCREW |
| 43 | F13-1601 | OSC GEAR COLLAR |
| 44 | G18-9301 | OSC GEAR |
| 45 | F99-2201 | OSC SLIDER |
| 46 | 352-1505 | OSC SLIDER SCREW |
| 47 | E52-0201 | DRIVE GEAR |
| 48 | 373-7808 | DRIVE GEAR WASHER |
| 49 | F99-3403 | SIDE COVER |
| 50 | E15-8602 | SIDE COVER SCREW |
| 51 | G07-1001 | HANDLE |
| 52 | F02-0201 | HANDLE WASHER |
| 53 | B92-5012 | HANDLE SCREW |

X4000C Special Parts

| Key No. | Parts No. | Parts Name |
|---------|-----------|-----------------|
| 2-9 | G07-1301 | SPOOL |
| 15 | F31-4207 | ROTOR |
| 23 | F99-4002 | BAIL |
| 24 | E46-3101 | BAIL TRIP LEVER |
| 34 | G07-0902 | BODY |
| 49 | F99-3404 | SIDE COVER |