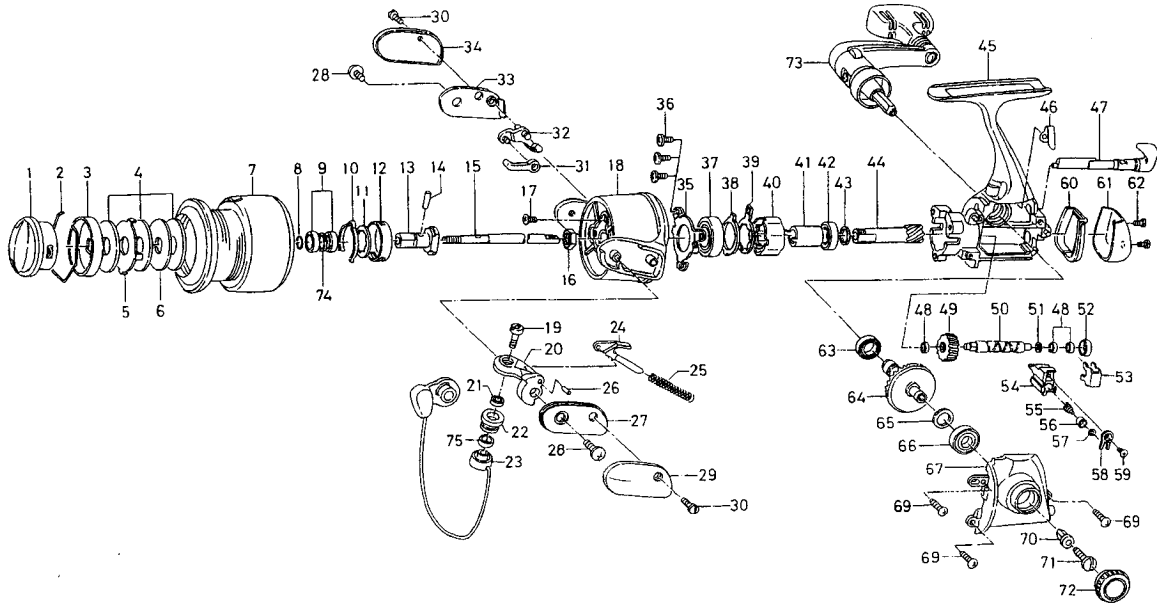


TOURNAMENT-Z3000iA



Key No.	Parts No.	Parts Name
2-7	F64-4201	SPOOL
1	F64-4801	DRAG KNOB
2	F71-0001	DRAG WASHER RET
3	F62-7502	DRAG KNOB CLICK PLT
4	F62-7101	DRAG WASHER
5	F62-7301	EARED WASHER
6	F64-4701	KEY WASHER
8	F27-4201	O RING
9	B86-1701	BALL BEARING A
10	F70-9001	SPOOL CLICK LEAF SPRING
11	F64-3501	SPOOL WASHER A
12	F64-3401	CLICK LEAF SPRING HOLDER
13	F64-3301	SPOOL METAL
14	F64-3601	PIN
15	F64-2001	MAIN SHAFT
16	340-6604	ROTOR NUT
17	B55-7601	ROTOR NUT LOCK SCREW
18	F64-2501	ROTOR
19	F62-5201	LINE ROLLER SCREW
20	F62-3501	BAIL ARM
21	F62-5101	BALL BEARING B
22	F62-5001	LINE ROLLER
23	F64-2901	BAIL
24	F69-1101	BAIL SPRING SHAFT
25	F62-3801	BAIL SPRING
26	F62-3701	BAIL ARM PIN
27	F64-2701	SPACER A
28	351-6101	BAIL HOLDER SCREW
29	F64-2802	BAIL SPRING COVER
30	F62-4101	BAIL SPRING COVER SCREW
31	F64-6301	BAIL TRIP PLT
32	F62-4701	BAIL TRIP LEVER
33	F64-3101	SPACER B
34	F64-3202	BAIL TRIP COVER
35	F64-1701	BEARING RET
36	352-2501	BEARING RET SCREW
37	F64-1601	BALL BEARING C

Key No.	Parts No.	Parts Name
38	F64-1501	ROLLER CLUTCH RET A
39	F64-1401	ROLLER CLUTCH RET B
40	F64-1201	ROLLER CLUTCH
41	F64-1301	SPACING SLEEVE
42	F64-1101	BALL BEARING D
43	F26-2801	PINION WASHER
44	F64-1002	PINION GEAR
45	F64-0301	BODY
46	E26-8701	A/R CAM SPRING
47	F64-0603	A/R LEVER
48	F28-2201	BALL BEARING E
49	F64-0901	WORM SHAFT GEAR
50	F64-0801	WORM SHAFT
51	375-4101	WORM SHAFT WASHER
52	F62-1701	WORM SHAFT COLLAR
53	F62-1801	WORM SHAFT RET
54	F64-1801	OSC SLIDER
55	F64-1901	OSC PAWL
56	F62-2701	OSC PAWL BUSH
57	375-0801	OSC PAWL WASHER
58	F62-2901	OSC SLIDER COVER
59	352-1502	OSC SLIDER COVER SCREW
60	F64-2301	WATER SHIELD
61	F62-2403	REAR COVER
62	F62-3302	REAR COVER SCREW
63	B86-1701	BALL BEARING F
64	F64-2101	DRIVE GEAR
65	373-7808	DRIVE GEAR WASHER
66	F62-8601	BALL BEARING G
67	F64-2201	SIDE COVER
69	351-1106	SIDE COVER SCREW
70	F43-3502	HANDLE COLLAR
71	363-8511	HANDLE SCREW
72	F64-4001	HANDLE SCREW CAP
73	F64-3801	HANDLE
74	F64-3701	SPOOL WASHER B
75	F70-1801	LINE ROLLER COLLAR