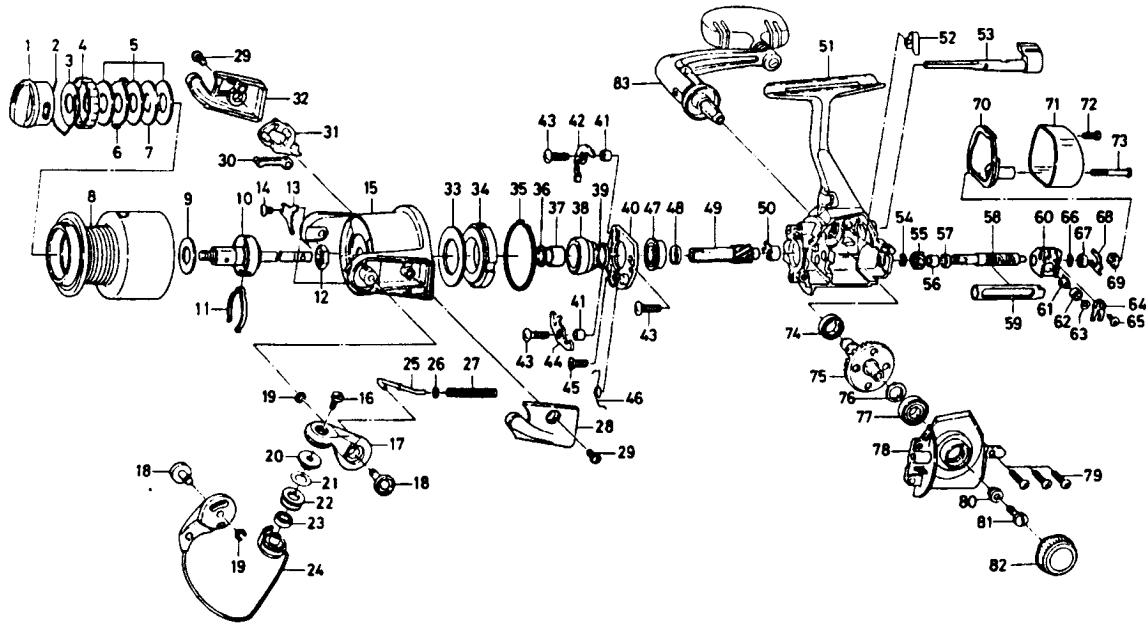


SPINNING REEL **TOURNAMENT-Z2500iT**



Key No.	Parts No.	Parts Name	Key No.	Parts No.	Parts Name
2-8	F44-7101	Spool assembly	43	E45-4001	Anti-reverse pawl screw
1	F44-7301	Drag knob	44	F22-7001	Anti-reverse pawl
2	F06-2601	Drag washer retainer	45	B30-4001	Bearing retainer screw
3	F01-6001	Click plate washer	46	F22-7101	Anti-reverse pawl spring
4	E12-2803	Drag knob click plate	47	F22-6701	Ball bearing B
5	B36-0204	Drag washer	48	F01-6903	Spacer
6	E15-0101	Eared washer	49	F37-1801	Pinion gear
7	B65-2302	Key washer	50	E24-3301	Pinion collar
8	F44-7201	Spool assembly	51	F44-5401	Body assembly
9	F06-2701	Spool washer	52	E26-8701	Anti-reverse cam spring
10	F44-6501	Main shaft assembly	53	F01-2711	Anti-reverse lever
11	B74-7702	Spool click leaf spring	54	B33-9801	Worm shaft gear retainer
12	341-9204	Rotor nut	55	F13-0501	Worm shaft gear
13	F22-7901	Rotor nut holding plate	56	F28-2101	Worm shaft bush
14	350-8912	Rotor nut holding plate screw	57	E33-2501	Ball bearing C
15	F44-5601	Rotor	58	F28-2001	Worm shaft
16	F14-2004	Line roller screw	59	F28-1902	Worm shield cover
17	F45-4301	Bail arm	60	F21-6402	Oscillating slider
18	F34-5901	Bail arm screw	61	E19-1202	Oscillating pawl
19	320-5901	Bail arm screw retainer	62	E19-1301	Oscillating pawl bush
20	F44-6303	Line roller collar	63	375-0801	Oscillating pawl washer
21	F44-6202	Line roller washer	64	E24-4901	Oscillating slider cover
22	F45-4902	Line roller	65	E15-0203	Oscillating slider cover screw
23	F05-5601	Ball bearing A	66	375-4101	Worm shaft washer
24	F44-5701	Bail assembly	67	F28-2201	Ball bearing D
25	F11-5801	Bail spring shaft	68	F28-2301	Worm shaft retainer
26	E31-3901	Bail spring washer	69	F28-2401	Worm shaft collar
27	F30-1301	Bail spring	70	F01-6102	Water shield
28	F34-6003	Bail spring cover	71	F01-6212	Rear cover
29	F01-3703	Bail spring cover screw	72	F01-6302	Rear cover screw A
30	F01-4301	Bail trip plate	73	F01-7202	Rear cover screw B
31	F49-9201	Bail trip lever	74	F01-6401	Ball bearing E
32	F34-6603	Bail trip cover	75	E24-7009	Drive gear
33	F19-7203	Oiled washer	76	375-8501	Drive gear washer
34	F15-3301	Roller clutch	77	636-6401	Ball bearing F
35	F21-2501	Roller clutch retainer	78	F01-3206	Side cover
36	F26-8501	Rotor washer	79	351-1106	Side cover screw
37	F15-5101	Spacing sleeve A	80	F40-4801	Handle collar
38	F15-1201	Anti-reverse ratchet	81	F04-5002	Handle screw
39	375-8507	Spacing sleeve B	82	F14-3602	Handle screw cap
40	F22-7801	Bearing retainer	83	F49-9302	Handle assembly
41	F22-6801	Anti-reverse pawl collar			
42	F22-6901	Anti-reverse pawl plate			