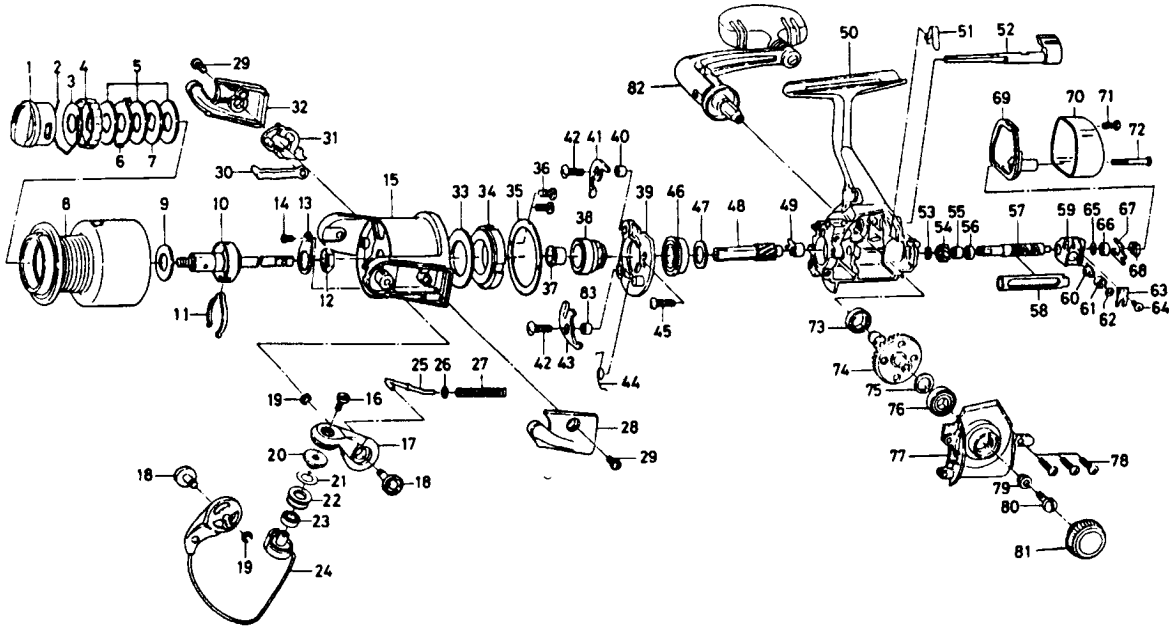


# SPINNING REEL **TOURNAMENT-Z3000iT**



Key No.	Parts No.	Parts Name
2-8	F47-7101	Spool assembly
1	F44-7301	Drag knob
2	F06-2601	Drag washer retainer
3	F01-6001	Click plate washer
4	E12-2803	Drag knob click plate
5	B36-0204	Drag washer
6	E15-0101	Eared washer
7	B65-2302	Key washer
8	F47-7201	Spool assembly
9	F06-2701	Spool washer
10	F47-4901	Main shaft assembly
11	B74-7702	Spool click leaf spring
12	340-6605	Rotor nut
13	B66-2603	Rotor nut holding plate
14	E17-9501	Rotor nut holding plate screw
15	F47-6601	Rotor
16	F14-2004	Line roller screw
17	F45-4301	Bail arm
18	F34-5901	Bail arm screw
19	320-5901	Bail arm screw retainer
20	F44-6303	Line roller collar
21	F44-6202	Line roller washer
22	F45-4902	Line roller
23	F05-5601	Ball bearing A
24	F47-6701	Bail assembly
25	E12-4701	Bail spring shaft
26	E31-3901	Bail spring washer
27	E43-5401	Bail spring
28	F35-5403	Bail spring cover
29	F01-3703	Bail spring cover screw
30	F35-5701	Bail trip plate
31	F49-9201	Bail trip lever
32	F35-5803	Bail trip cover
33	F19-7302	Oiled washer
34	F18-2901	Roller clutch
35	F25-6301	Roller clutch retainer
36	353-0001	Roller clutch screw
37	F25-3001	Spacing sleeve
38	F23-9102	Anti-reverse ratchet
39	F23-8303	Bearing retainer
40	F22-6801	Anti-reverse pawl collar
41	F23-8802	Anti-reverse pawl plate
42	E45-4001	Anti-reverse pawl screw

Key No.	Parts No.	Parts Name
43	F23-8901	Anti-reverse pawl
44	F22-7101	Anti-reverse pawl spring
45	351-6601	Bearing retainer screw
46	F25-2901	Ball bearing B
47	F26-2801	Spacer
48	F36-8401	Pinion gear
49	F28-2401	Pinion collar
50	F47-6501	Body assembly
51	E26-8701	Anti-reverse cam spring
52	F01-2712	Anti-reverse lever
53	320-5901	Worm shaft gear retainer
54	F02-1301	Worm shaft gear
55	F28-2101	Worm shaft bush
56	E33-2501	Ball bearing C
57	F28-2901	Worm shaft
58	F28-2602	Worm shield cover
59	F02-0902	Oscillating slider
60	F02-1202	Oscillating pawl
61	E19-1301	Oscillating pawl bush
62	375-0801	Oscillating pawl washer
63	E24-4901	Oscillating slider cover
64	352-1502	Oscillating slider cover screw
65	375-4101	Worm shaft washer
66	F28-2201	Ball bearing D
67	F28-2301	Worm shaft retainer
68	F28-2401	Worm shaft collar
69	F01-6102	Water shield
70	F01-6212	Rear cover
71	F01-6302	Rear cover screw A
72	F01-7202	Rear cover screw B
73	B68-1701	Ball bearing E
74	F02-1602	Drive gear
75	373-7808	Drive gear washer
76	B62-8601	Ball bearing F
77	F02-1804	Side cover
78	351-1106	Side cover screw
79	F43-3502	Handle collar
80	F04-5002	Handle screw
81	F24-6202	Handle screw cap
82	F50-2802	Handle assembly
83	F23-8701	Anti-reverse pawl collar