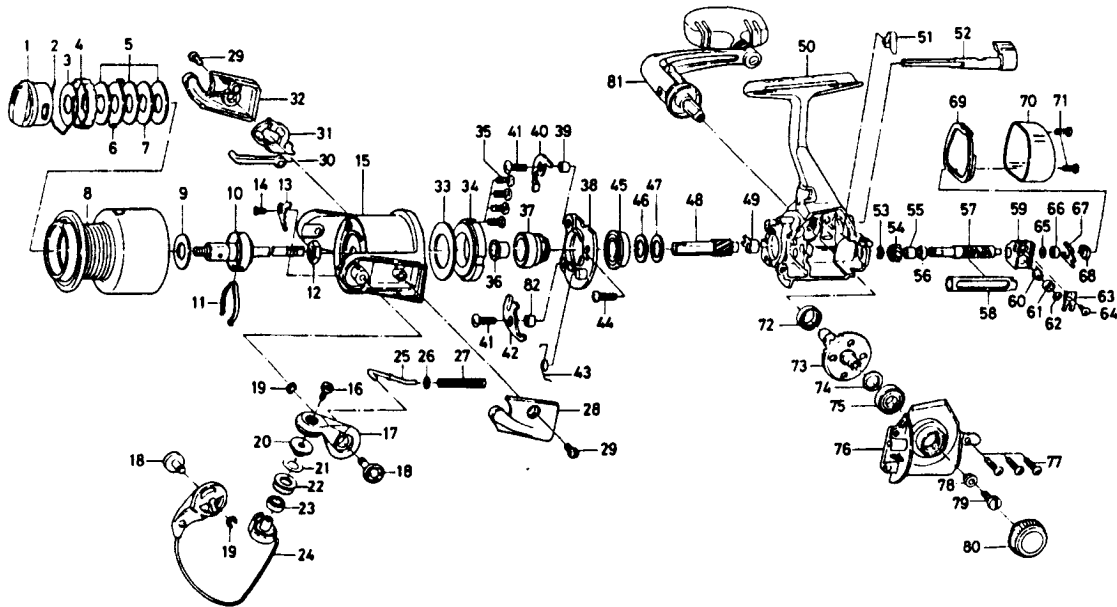


SPINNING REEL

**TOURNAMENT-Z4000iT**



Key No.	Parts No.	Parts Name	Key No.	Parts No.	Parts Name
2-8	F47-7901	Spool assembly	43	F22-7101	Anti-reverse pawl spring
1	F47-8101	Drag knob	44	351-8501	Bearing retainer screw
2	F06-2601	Drag washer retainer	45	F24-0001	Ball bearing B
3	F01-6001	Click plate washer	46	371-2822	Spacer A
4	E12-2803	Drag knob click plate	47	371-2821	Spacer B
5	B36-0204	Drag washer	48	F36-6901	Pinion gear
6	E15-0101	Eared washer	49	B88-0001	Pinion collar
7	B65-2302	Key washer	50	F47-7301	Body assembly
8	F47-8001	Spool assembly	51	E26-8701	Anti-reverse cam spring
9	F13-7501	Spool washer	52	E45-0403	Anti-reverse lever
10	F47-5901	Main shaft assembly	53	320-5901	Worm shaft gear retainer
11	B74-7702	Spool click leaf spring	54	E44-8202	Worm shaft gear
12	B10-5702	Rotor nut	55	B45-1501	Worm shaft bush
13	F18-9601	Rotor nut holding plate	56	E33-2501	Ball bearing C
14	E13-4501	Rotor nut holding plate screw	57	F28-3401	Worm shaft
15	F47-7401	Rotor	58	F28-2602	Worm shield cover
16	F14-2004	Line roller screw	59	E44-6702	Oscillating slider
17	F45-4301	Bail arm	60	F02-1202	Oscillating pawl
18	F34-5901	Bail arm screw	61	E19-1301	Oscillating pawl bush
19	320-5901	Bail arm screw retainer	62	375-0801	Oscillating pawl washer
20	F44-6303	Line roller collar	63	E12-5901	Oscillating slider cover
21	F44-6202	Line roller washer	64	351-8903	Oscillating slider cover screw
22	F45-4902	Line roller	65	375-4101	Worm shaft washer
23	F05-5601	Ball bearing A	66	F28-2201	Ball bearing D
24	F47-7501	Bail assembly	67	F28-2301	Worm shaft retainer
25	E12-4701	Bail spring shaft	68	F28-2403	Worm shaft collar
26	E31-3901	Bail spring washer	69	E45-0702	Water shield
27	E43-5401	Bail spring	70	E45-0806	Rear cover
28	F35-6903	Bail spring cover	71	F01-6302	Rear cover screw
29	F01-3703	Bail spring cover screw	72	B86-1701	Ball bearing E
30	F35-7201	Bail trip plate	73	E44-7004	Drive gear
31	F49-9201	Bail trip lever	74	373-7808	Drive gear washer
32	F35-7303	Bail trip cover	75	B62-8601	Ball bearing F
33	F19-7302	Oiled washer	76	F08-5004	Side cover
34	F18-2901	Roller clutch	77	351-8505	Side cover screw
35	351-4701	Roller clutch screw	78	F43-3502	Handle collar
36	F24-6001	Spacing sleeve	79	F04-5002	Handle screw
37	F23-9102	Anti-reverse ratchet	80	F24-6202	Handle screw cap
38	F23-8301	Bearing retainer	81	F50-2801	Handle assembly
39	F22-6801	Anti-reverse pawl collar A	82	F23-8701	Anti-reverse pawl collar B
40	F23-8801	Anti-reverse pawl plate			
41	E45-4001	Anti-reverse pawl screw			
42	F23-8901	Anti-reverse pawl			