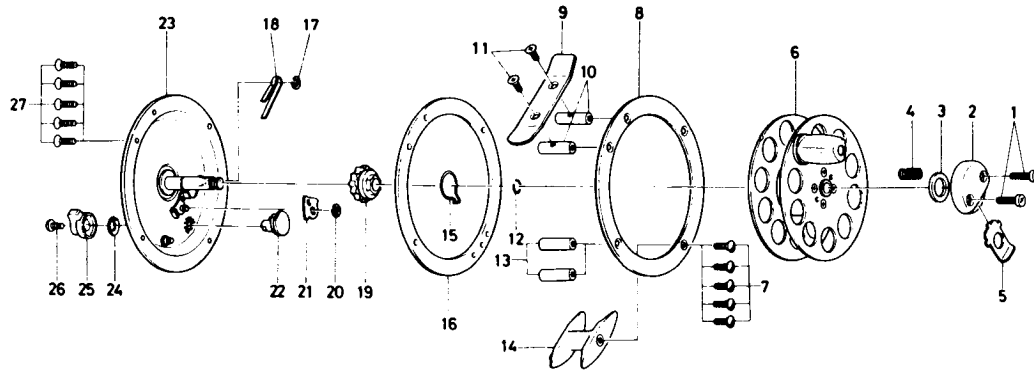


## FLY REEL 731A



LINE CAPACITY: Up to and including AFTMA 7

Key No. 1 ~ 6

6-736-1501 Spool assembly \$7.00

Key No.	Parts No.	Parts Name	Price Per Piece	Key No.	Parts No.	Parts Name	Price Per Piece
1	6-353-0001	Cover screw	\$ .10	15	6-144-2901	Friction spring	\$ .15
2	6-130-4701	Cover	.20	16	6-171-3501	Body ring	2.15
3	6-375-3801	Cover washer	.10	17	6-320-7601	Click spring retainer	.10
4	6-144-1801	Spool stopper spring	.10	18	6-151-5401	Click spring	.50
5	6-541-3401	Spool stopper	.40	19	6-750-3301	Click gear	.80
6	6-736-0501	Spool	N/A	20	6-320-5901	Click claw retainer	.10
7	6-353-3501	Screw	.15	21	6-030-5201	Click claw	.30
8	6-560-5401	Ring	4.10	22	6-461-3201	Cam	.40
9	6-610-3401	Stand	1.90	23	6-706-5901	Body	8.25
10	6-050-6001	Stand pillar	.60	24	6-151-5301	Click lever washer	.10
11	6-353-3601	Stand screw	.10	25	6-541-3501	Click lever	.15
12	6-171-1301	Click gear retainer	.15	26	6-352-2501	Click lever screw	.10
13	6-050-6101	Pillar	.35	27	6-353-3501	Screw	.15
14	6-310-1101	Line guard	.80				