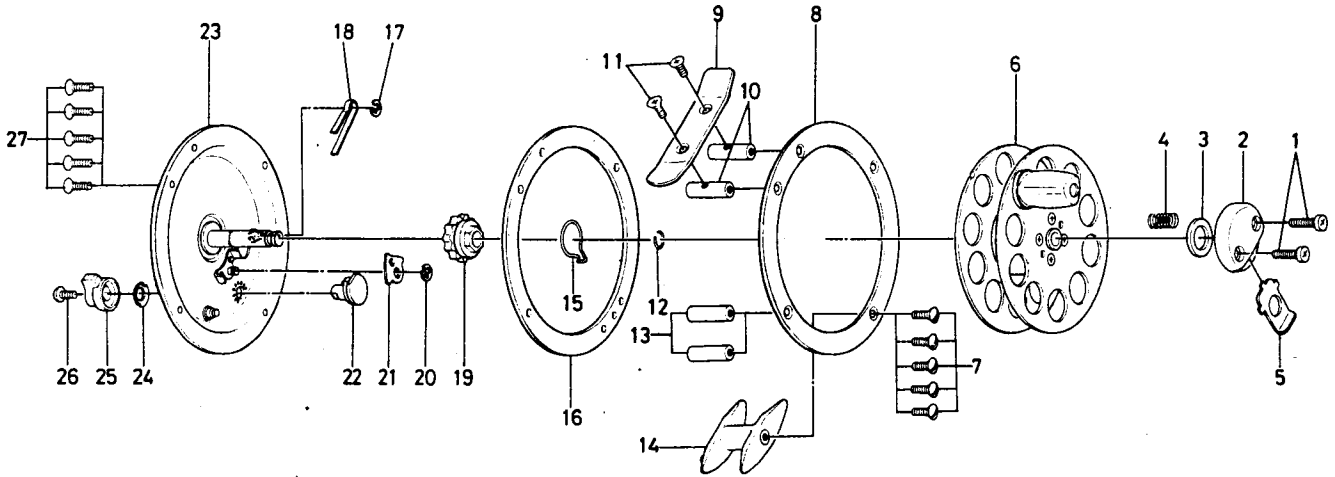


## FLY REEL 731A



KEY NO. 1 ~ 6  
6-736-1401

**SPOOL ASSEMBLY**

KEY NO. 9 ~ 11  
6-781-4201

**STAND ASSEMBLY**

| Key No. | Parts No.  | Parts Name           |
|---------|------------|----------------------|
| 1       | 6-353-0001 | Cover screw          |
| 2       | 6-130-4701 | Cover                |
| 3       | 6-375-3801 | Cover washer         |
| 4       | 6-144-1801 | Spool stopper spring |
| 5       | 6-541-3401 | Spool stopper        |
| 6       | 6-736-0501 | Spool                |
| 7       | 6-353-3501 | Screw                |
| 8       | 6-560-5401 | Ring                 |
| 9       | 6-610-3401 | Stand                |
| 10      | 6-050-6011 | Stand pillar         |
| 11      | 6-353-3601 | Stand screw          |
| 12      | 6-171-1301 | Click gear retainer  |
| 13      | 6-050-6101 | Pillar               |
| 14      | 6-310-1101 | Line guard           |

| Key No. | Parts No.  | Parts Name            |
|---------|------------|-----------------------|
| 15      | 6-144-2901 | Friction spring       |
| 16      | 6-171-3501 | Body ring             |
| 17      | 6-320-7601 | Click spring retainer |
| 18      | 6-151-5402 | Click spring          |
| 19      | 6-750-3301 | Click gear            |
| 20      | 6-320-5901 | Click claw retainer   |
| 21      | 6-030-5201 | Click claw            |
| 22      | 6-461-3201 | Cam                   |
| 23      | 6-706-5901 | Body                  |
| 24      | 6-151-5301 | Click lever washer    |
| 25      | 6-541-3501 | Click lever           |
| 26      | 6-352-2501 | Click lever screw     |
| 27      | 6-353-3501 | Screw                 |