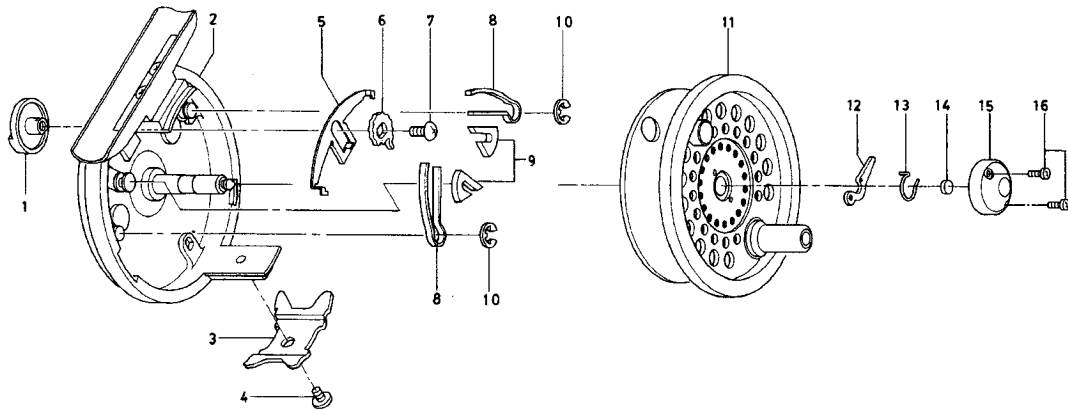


FLY REEL

LM-X100



LM-X100

KEY

NO.	PART NO.	PART NAME
1	B81-3802	DRAG KNOB
2	F54-8701	BODY
3	F54-9701	LINE GUARD
4	352-0601	LINE GUARD SCREW
5	F54-9401	CLICK PLT
6	F54-9501	DRAG CAM
7	F50-5701	DRAG KNOB SCREW
8	F54-9601	CLICK SPRING
9	B28-6001	CLICK PAWL
10	320-1402	CLICK PAWL RET
11-16	F54-9801	SPOOL