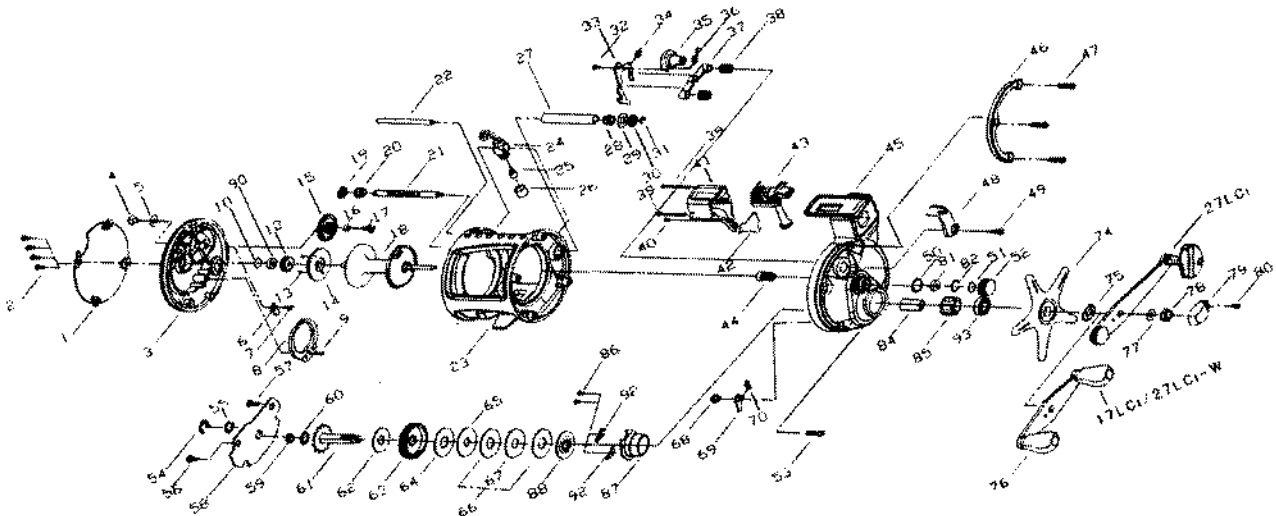


ACCUDEPTH 17LCi/27LCi/27LCi-W



| Key No. | Parts No. | Parts Name |
|---------|-----------|-----------------------|
| 1 | W60-0102 | L/S OUTER PLT |
| 2 | W60-0201 | L/S PLT SCREW |
| 3 | W60-0301 | L/S PLT |
| 4 | W60-0401 | CLICK BUTTON |
| 5 | W60-0501 | CLICK BUTTON WASHER |
| 6 | W60-0601 | CLICK PAWL |
| 7 | W60-0701 | CLICK PAWL SCREW |
| 8 | W60-0801 | CLICK SPRING |
| 9 | W60-0901 | CLICK SPRING SCREW |
| 10 | W60-1001 | SPACER A |
| 12 | W60-1201 | SPOOL GEAR |
| 13 | W60-1302 | CLICK GEAR SCREW |
| 14 | W60-1401 | CLICK GEAR |
| 15 | W60-1501 | IDLE GEAR |
| 16 | W60-1601 | IDLE GEAR COLLAR |
| 17 | W60-1701 | IDLE GEAR SCREW |
| 18 | W61-6001 | SPOOL |
| 19 | W60-2001 | WORM SHAFT GEAR |
| 20 | W60-0210 | WORM SHAFT BUSH |
| 21 | W60-2201 | WORM SHAFT |
| 22 | W60-2401 | STABILIZER BAR |
| 23 | W61-6201 | FRAME |
| 24 | W60-2801 | LEVEL WIND |
| 25 | W60-2901 | LINE GUIDE PAWL |
| 26 | W60-3001 | PAWL CAP |
| 27 | W60-3101 | LEVEL WIND GUARD |
| 28 | W60-3301 | WORM SHAFT COLLAR |
| 29 | W60-3401 | WORM SHAFT WASHER |
| 30 | W60-3501 | COUNTER GEAR |
| 31 | W60-3601 | WORM SHAFT RET |
| 32 | W61-6401 | YOKE PLT SCREW |
| 33 | W60-3801 | YOKE PLT |
| 34 | W60-3901 | YOKE PLT SPRING |
| 35 | W60-4001 | CLUTCH CAM |
| 36 | W60-4101 | CLUTCH SPRING |
| 37 | W60-4201 | YOKE |
| 38 | W60-4301 | YOKE SPRING |
| 39 | W60-4401 | COUNTER COVER SCREW A |
| 40 | W60-4501 | COUNTER COVER SCREW B |
| 41 | W60-4601 | COUNTER COVER |
| 42 | W60-4701 | COUNTER PLT |
| 43 | W61-6501 | DEPTH COUNTER |
| 44 | W60-4901 | PINION GEAR |
| 45 | W61-6601 | R/S PLT |
| 46 | W60-5101 | R/S OUTER RING |
| 47 | W60-5201 | R/S PLT SCREW A |
| 48 | W61-6701 | CLUTCH LEVER |
| 49 | W60-5501 | CLUTCH LEVER SCREW |
| 50 | W60-5601 | O RING |
| 51 | W60-5701 | SPACER B |
| 52 | W60-5801 | CAST CONTROL CAP |
| 53 | W60-5901 | R/S PLT SCREW B |

| Key No. | Parts No. | Parts Name |
|---------|-----------|-------------------------|
| 54 | W60-6101 | DRIVE SHAFT RET |
| 55 | W60-3402 | DRIVE SHAFT WASHER A |
| 57 | W60-6401 | DRIVE SHAFT RET SCREW B |
| 58 | W60-6501 | HOLD PLT |
| 59 | W60-6601 | DRIVE SHAFT BUSH |
| 60 | W60-6701 | DRIVE SHAFT WASHER B |
| 61 | W61-6801 | DRIVE SHAFT |
| 62 | W60-6901 | DRIVE SHAFT WASHER C |
| 63 | W60-7001 | DRIVE GEAR |
| 64 | W60-7101 | DRAG WASHER A |
| 65 | W60-7201 | KEY WASHER A |
| 66 | W60-7301 | DRAG WASHER B |
| 67 | W60-7401 | EARED WASHER |
| 68 | W60-7501 | A/R PAWL PIN |
| 69 | W60-7601 | A/R PAWL |
| 70 | W60-7701 | A/R PAWL SPRING |
| 74 | W60-8101 | STAR DRAG |
| 75 | W60-8201 | SPACING SLEEVE |
| 76 | W60-8301 | HANDLE |
| 77 | W60-8501 | HANDLE WASHER |
| 78 | W60-8601 | HANDLE NUT |
| 79 | W60-8701 | HANDLE NUT PLT |
| 80 | W60-8801 | HANDLE NUT PLT SCREW |
| 81 | W61-5501 | BUSHING |
| 82 | W61-5601 | BUSHING RET |
| 84 | W61-6901 | HANDLE METAL COLLAR |
| 85 | W61-7001 | HANDLE METAL |
| 86 | W61-7101 | HANDLE METAL PLT SCREW |
| 87 | W61-7201 | HANDLE METAL CAP |
| 88 | W61-7301 | KEY WASHER B |
| 90 | W61-7401 | BALL BEARING A |
| 92 | W61-7501 | HANDLE METAL PLT |
| 93 | W61-7601 | BALL BEARING B |

SPECIAL PART FOR AD27LCI

| Key No. | Parts No. | Parts Name |
|---------|-----------|------------------|
| 18 | W61-6101 | SPOOL |
| 21 | W60-2301 | WORM SHAFT |
| 22 | W60-2501 | STABILIZER BAR |
| 23 | W61-6301 | FRAME |
| 27 | W60-3201 | LEVEL WIND GUARD |
| 76 | W60-8401 | HANDLE |

SPECIAL PART FOR AD27LCI-W

| Key No. | Parts No. | Parts Name |
|---------|-----------|------------------|
| 18 | W61-6101 | SPOOL |
| 21 | W60-2301 | WORM SHAFT |
| 22 | W60-2501 | STABILIZER BAR |
| 23 | W61-6301 | FRAME |
| 27 | W60-3201 | LEVEL WIND GUARD |
| 76 | W60-8301 | HANDLE |