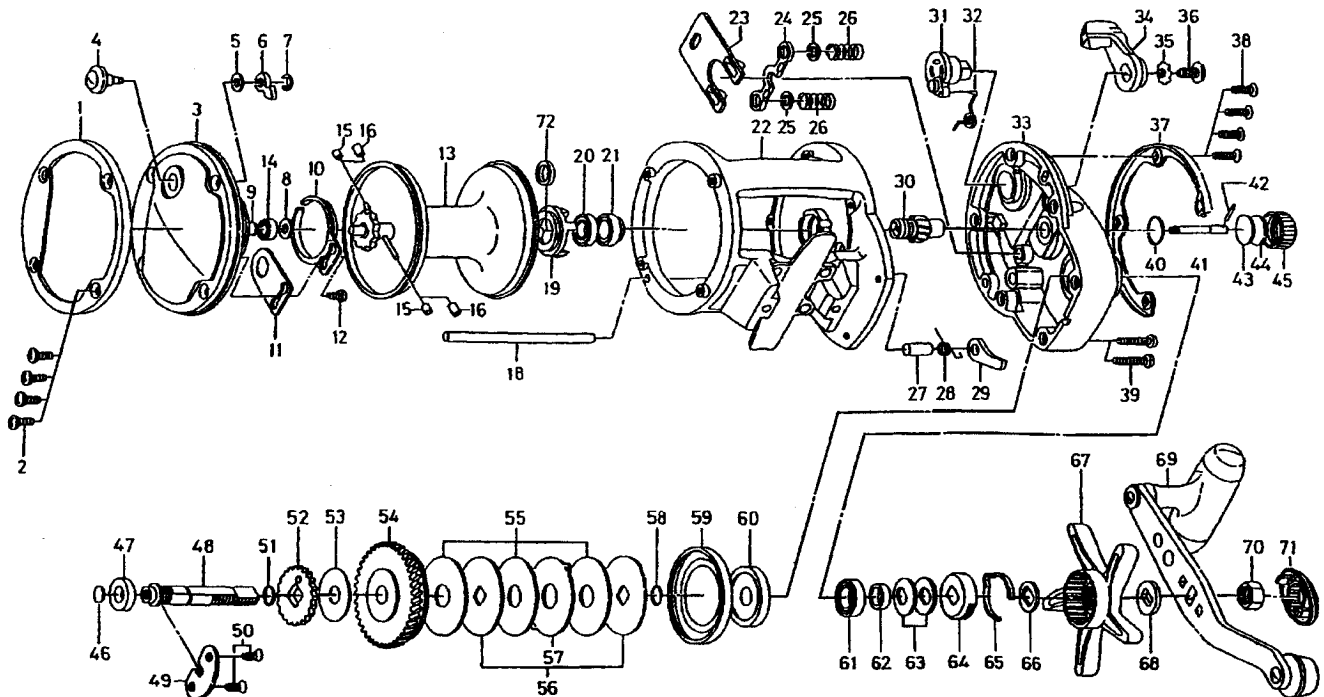


CONVENTIONAL REEL GRANDWAVE-X40SHVK / 50SHVK



Key No.	Parts No.	Parts Name
1	F09-9402	L/S OUTER RING
2	F09-3601	L/S PLT SCREW
3	F78-8502	L/S PLT
4	E36-1301	CLICK BUTTON
5	373-1602	CLICK BUTTON WASHER
6	030-6222	CLICK PAWL
7	320-1402	CLICK PAWL RET
8	F13-2602	SPACER A
9	375-7411	BEARING WASHER
10	160-7922	CLICK SPRING
11	F13-1801	CLICK SPRING RET
12	B83-4402	CLICK SPRING SCREW
13	F78-8601	SPOOL
14	637-2101	BALL BEARING A
15	B35-2801	BRAKE COLLAR A
16	B35-2701	BRAKE COLLAR B
18	F73-6803	STABILIZER BAR
19	F21-6201	BEARING RET
20	636-6402	BALL BEARING B
21	F73-3201	BUSHING A
22	F79-1201	FRAME
23	F09-7901	YOKE PLT
24	E25-2102	YOKE
25	E03-7706	YOKE WASHER
26	F93-5201	YOKE SPRING
27	F09-8201	A/R PAWL PIN
28	F77-4401	A/R PAWL SPRING
29	F73-3401	A/R PAWL
30	F78-9801	PINION GEAR
31	F09-7301	CLUTCH CAM
32	F38-5801	CLUTCH SPRING
33	F09-6918	R/S PLT
34	E42-6805	CLUTCH LEVER
35	160-8001	CLUTCH LEVER LOCK WASHER
36	E00-7602	CLUTCH LEVER SCREW
37	F09-7203	R/S OUTER RING
38	F09-3601	R/S PLT SCREW A
39	F73-4302	R/S PLT SCREW B
40	B05-5201	O RING
41	F73-2701	PINION SHAFT

Key No.	Parts No.	Parts Name
42	F73-2801	PIN
43	375-7501	SPACER B
44	B17-5503	SPACER C
45	E31-5405	CAST CONTROL CAP
46	F73-3501	DRIVE SHAFT WASHER
47	637-5702	BALL BEARING C
48	F73-3602	DRIVE SHAFT
49	F09-8401	DRIVE SHAFT RET
50	E31-6701	DRIVE SHAFT RET SCREW
51	F65-7801	O RING B
52	F55-5102	A/R RATCHET
53	F73-3701	DRIVE SHAFT WASHER B
54	F78-9901	DRIVE GEAR
55	F87-7501	DRAG WASHER
56	E31-7001	KEY WASHER
57	E31-7101	EARED WASHER
58	F65-7801	O RING C
59	F73-3901	WATER SHIELD
60	F73-4001	BALL BEARING COLLAR
61	B62-8201	BALL BEARING D
62	F73-4201	COLLAR A
63	E25-3501	DRAG SPRING WASHER
64	F47-0002	CLICK LEAF SPRING HOLDER
65	B74-7702	CLICK LEAF SPRING
66	F47-0101	FRICTION WASHER
67	F55-0415	STAR DRAG
68	E25-3901	SPACING SLEEVE
69	F78-8001	HANDLE
70	B86-2102	HANDLE NUT
71	F47-1205	HANDLE NUT PLT
72	F77-4701	COLLAR B

GW-X50SHVK Special Parts

Key No.	Parts No.	Parts Name
3	F78-8202	L/S PLT
13	F78-8301	SPOOL
18	F09-9303	STABILIZER BAR
22	F79-0801	FRAME
33	F09-6917	R/S PLT