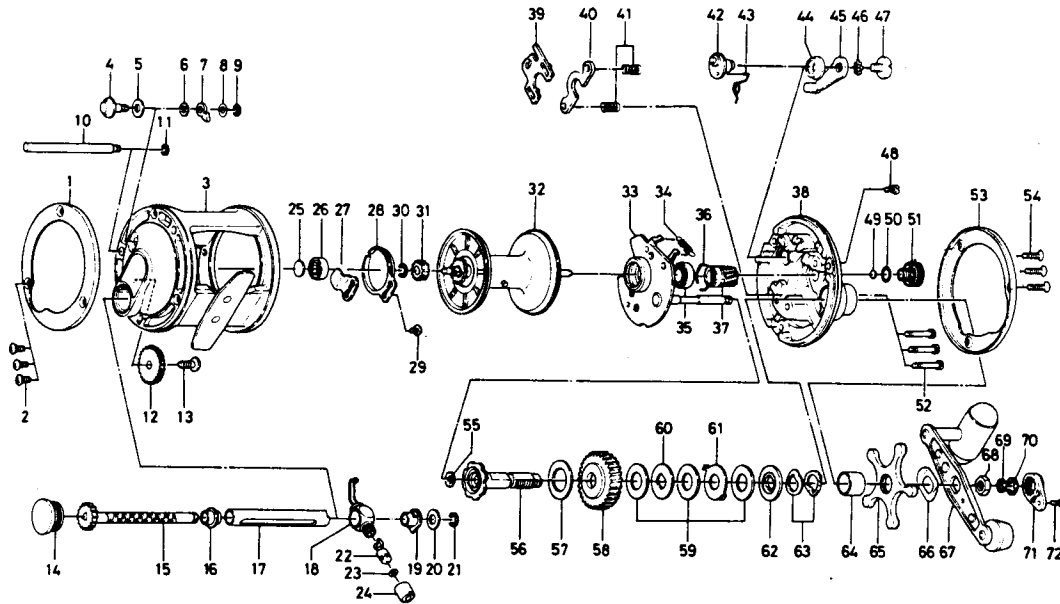


Conventional Reel

Sealine 27H



Key No.	Parts No.	Parts Name	Key No.	Parts No.	Parts Name
1	6-B21-0901	L. S. ring	37	6-B26-9701	Pinion gear
2	6-353-6201	L. S. plate screw	38	6-B20-6801	R. S. plate
3	6-B20-8600	Frame	39	6-B20-7201	Eccentric jack
4	6-B20-9201	Click button	40	6-B20-7301	Pinion yoke
5	6-B40-3101	Click button washer	41	6-B35-4901	Clutch spring
6	6-375-4301	Click claw washer A	42	6-B20-7001	Eccentric cam
7	6-B20-9301	Click claw	43	6-B12-0601	Eccentric cam spring
8	6-373-1300	Click claw washer A	44	6-B35-2501	Clutch lever screw holder
9	6-320-5901	Click claw retainer	45	6-783-2101	Clutch lever
10	6-B21-0401	Frame post	46	6-160-8001	Clutch lever lock washer
11	6-320-5901	Frame post retainer	47	6-363-5301	Clutch lever screw
12	6-B20-9901	Cog wheel	48	6-B39-5401	Set plate screw A
13	6-351-1801	Cog wheel screw	49	6-B12-0201	Spool adjustable cap metal
14	6-B40-6701	Left side cap	50	6-637-0601	"O" ring
15	6-B21-0011	Worm shaft	51	6-B12-7801	Spool adjusting cap
16	6-B10-0301	Worm shaft holder	52	6-B20-8201	Set plate screw A
17	6-B21-0301	Worm shield	53	6-B21-0801	R. S. ring
18	6-B21-0501	Line guide	54	6-353-4301	R. S. plate screw
19	6-B09-9701	Shield bush	55	6-373-7611	Gear shaft washer
20	6-373-1302	Worm shaft holder washer	56	6-B20-7802	Gear shaft
21	6-320-5901	Worm shaft retainer	57	6-374-9302	Drive gear washer
22	6-121-4211	Line guide pin	58	6-B10-4101	Drive gear
23	6-375-0800	Line guide washer	59	6-374-9305	Drag washer A
24	6-341-5901	Line guide nut	60	6-374-9401	Drag washer B
25	6-375-7403	Ball bearing metal washer	61	6-375-8701	Drag washer C
26	6-633-8811	Ball bearing	62	6-376-0001	Drag washer D
27	6-B20-9001	Click spring retainer	63	6-150-8901	Tension spring
28	6-B20-9101	Click spring	64	6-B20-8101	Spacing sleeve
29	6-352-9501	Click spring screw	65	6-B20-8301	Star drag
30	6-320-8202	Spool gear ret. ring	66	6-B41-5301	Handle washer
31	6-B20-9801	Spool gear	67	6-B20-8401	Handle
32	6-B20-9401	Spool	68	6-B43-3601	Handle nut
33	6-B20-7500	Set plate	69	6-B41-1701	Handle nut washer
34	6-145-2801	Anti-reverse claw spring	70	6-320-8202	Handle nut retainer
35	6-B18-1601	Ball bearing	71	6-B43-3901	Handle nut plate
36	6-B27-0501	Ball bearing retaining ring	72	6-351-1801	Handle nut plate screw