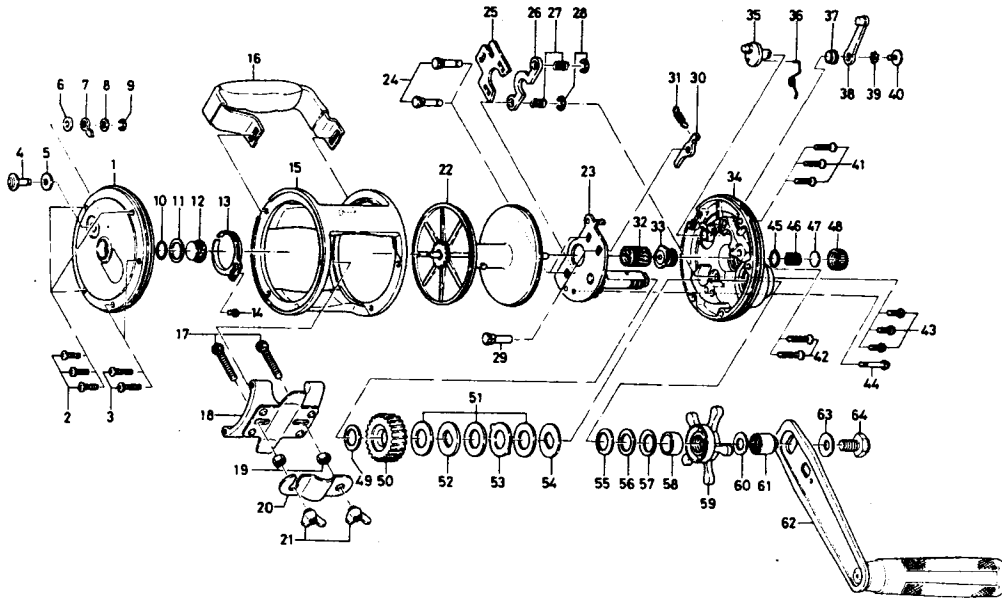


# CONVENTIONAL REEL Sealine 610



Key No.	Parts No.	Parts Name	Price Each	Key No.	Parts No.	Parts Name	Price Each
1	760-5609	L.S. plate	9.00	33	720-2322	Ball bearing	1.85
2	353-7501	L.S. plate screw	0.50	34	560-7432	R.S. plate	8.05
3	353-5401	L.S. stand screw	0.50	35	461-6911	Clutch cam	1.95
4	541-6311	Click button	1.35	36	144-4701	Clutch spring	0.50
5	375-9201	Click button washer	0.40	37	835-2601	Clutch lever screw holder	0.60
6	375-9301	Click washer A	0.40	38	781-8621	Clutch lever	0.90
7	030-6111	Click pawl	1.15	39	160-8001	Clutch lever lock washer	0.40
8	373-2700	Click washer B	0.40	40	363-5301	Clutch lever screw	0.80
9	320-7601	Click retainer	0.40	41	353-7501	R.S. plate screw	0.50
10	171-1001	O ring	0.60	42	353-5401	R.S. stand screw	0.50
11	375-9802	Spacer	0.50	43	353-9701	Set plate screw A	0.50
12	720-2712	Ball bearing	2.20	44	815-9101	Set plate screw B	0.50
13	160-7802	Click spring	1.30	45	171-1001	O ring	0.60
14	352-2201	Click spring screw	0.50	46	145-3101	Spool tension spring	0.50
15	701-1705	Frame	11.65	47	375-7501	Spacer	0.50
16	E00-4801	Stabilizing handle	13.05	48	382-0301	Cast control cap	1.10
17	353-1001	Clamp bolt	0.80	49	370-4512	Drive shaft washer	0.40
18	782-4901	Stand	8.70	50	413-9612	Drive gear	8.20
19	341-9701	Clamp nut	0.50	51	375-0705	Drag washer	1.25
20	040-7901	Rod brace	1.65	52	376-2602	Key washer	0.80
21	342-2111	Rod brace nut	1.10	53	376-2701	Eared washer	0.70
22	733-2634	Spool	19.00	54	376-2601	Key washer	0.85
23	782-4403	Set plate	15.50	55	151-5212	Drag spring washer A	0.90
24	051-5611	Set plate pin A	1.05	56	375-3511	Drag spring washer B	0.60
25	041-4701	Yoke plate	1.30	57	151-5211	Drag spring washer C	0.70
26	041-4801	Yoke	1.05	58	501-8911	Spacing sleeve	1.05
27	144-8101	Yoke spring	0.50	59	782-4501	Star drag	3.50
28	320-1611	Yoke spring retainer	0.40	60	853-3101	Gear metal cap washer	0.40
29	051-5511	Set plate pin B	0.95	61	853-3201	Gear metal cap	3.16
30	111-6501	Anti-reverse pawl	1.25	62	853-3701	Handle	17.55
31	144-9511	Anti-reverse pawl spring	0.50	63	853-3501	Handle screw washer	0.55
32	750-5801	Pinion gear	9.50	64	853-3301	Handle screw	2.25