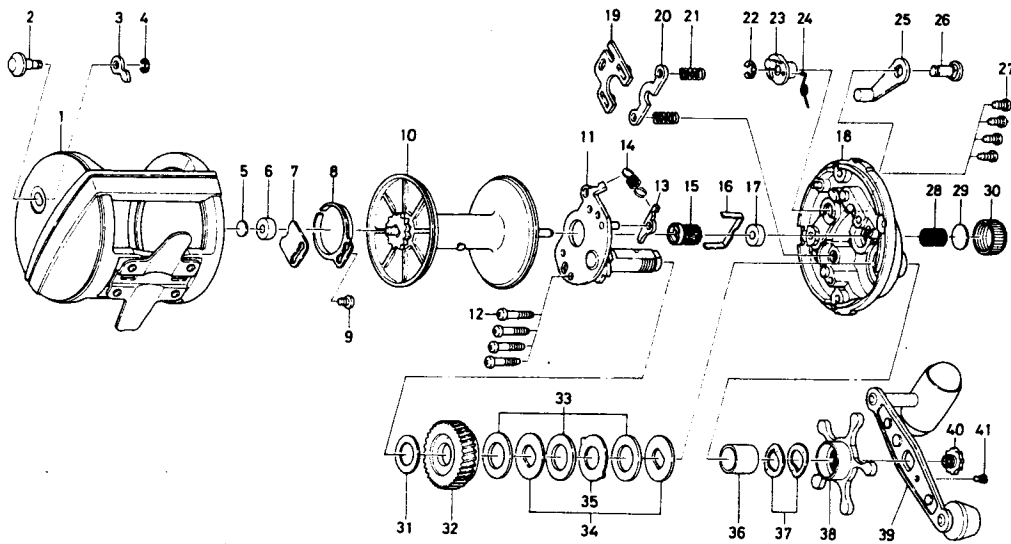


CONVENTIONAL **Sealine Sportline SL250H**



| Key No. | Parts No. | Parts Name | Price Each | Key No. | Parts No. | Parts Name | Price Each |
|---------|-----------|--------------------------|------------|---------|-----------|------------------------|------------|
| 1 | E04-3401 | Frame | 16.00 | 22 | 320-7601 | Clutch lever retainer | 0.40 |
| 2 | 541-6501 | Click button | 1.15 | 23 | E04-2901 | Clutch cam | 0.70 |
| 3 | 030-6221 | Click pawl | 1.00 | 24 | E04-9401 | Clutch spring | 0.35 |
| 4 | 320-1402 | Click pawl retainer | 0.40 | 25 | 782-5401 | Clutch lever | 0.80 |
| 5 | 375-7403 | Spacer A | 0.40 | 26 | E04-3001 | Clutch lever pin | 1.60 |
| 6 | 637-5601 | Bushing | 0.75 | 27 | E04-3701 | Right side plate screw | 0.35 |
| 7 | E04-3601 | Click spring retainer | 0.35 | 28 | 145-3101 | Spool tension spring | 0.50 |
| 8 | 160-7922 | Click spring | 1.25 | 29 | 375-7501 | Spacer B | 0.50 |
| 9 | B83-4402 | Click spring screw | 0.35 | 30 | 382-0301 | Cast control cap | 1.10 |
| 10 | E04-9801 | Spool | 14.00 | 31 | 375-2901 | Drive shaft washer | 0.40 |
| 11 | E04-3101 | Set plate | 7.30 | 32 | E05-3101 | Drive gear | 11.05 |
| 12 | E04-3301 | Set plate screw | 0.35 | 33 | 375-9903 | Drag washer | 1.15 |
| 13 | B12-0701 | Anti-reverse pawl | 0.70 | 34 | 376-3404 | Key washer | 0.55 |
| 14 | 145-2801 | Anti-reverse pawl spring | 0.50 | 35 | 376-3501 | Eared washer | 0.55 |
| 15 | E04-9501 | Pinion gear | 5.50 | 36 | 501-9312 | Spacing sleeve | 0.65 |
| 16 | E04-2801 | Pinion retainer | 0.45 | 37 | 151-8701 | Friction washer | 0.75 |
| 17 | 637-5601 | Bushing | 0.75 | 38 | 782-5306 | Star drag | 5.40 |
| 18 | E04-2601 | Right side plate | 8.00 | 39 | E05-3001 | Handle | 8.05 |
| 19 | 041-5701 | Yoke plate | 1.00 | 40 | 353-3302 | Handle screw A | 1.15 |
| 20 | 041-5801 | Yoke | 0.80 | 41 | 353-2811 | Handle screw B | 0.50 |
| 21 | 145-2411 | Yoke spring | 0.50 | | | | |