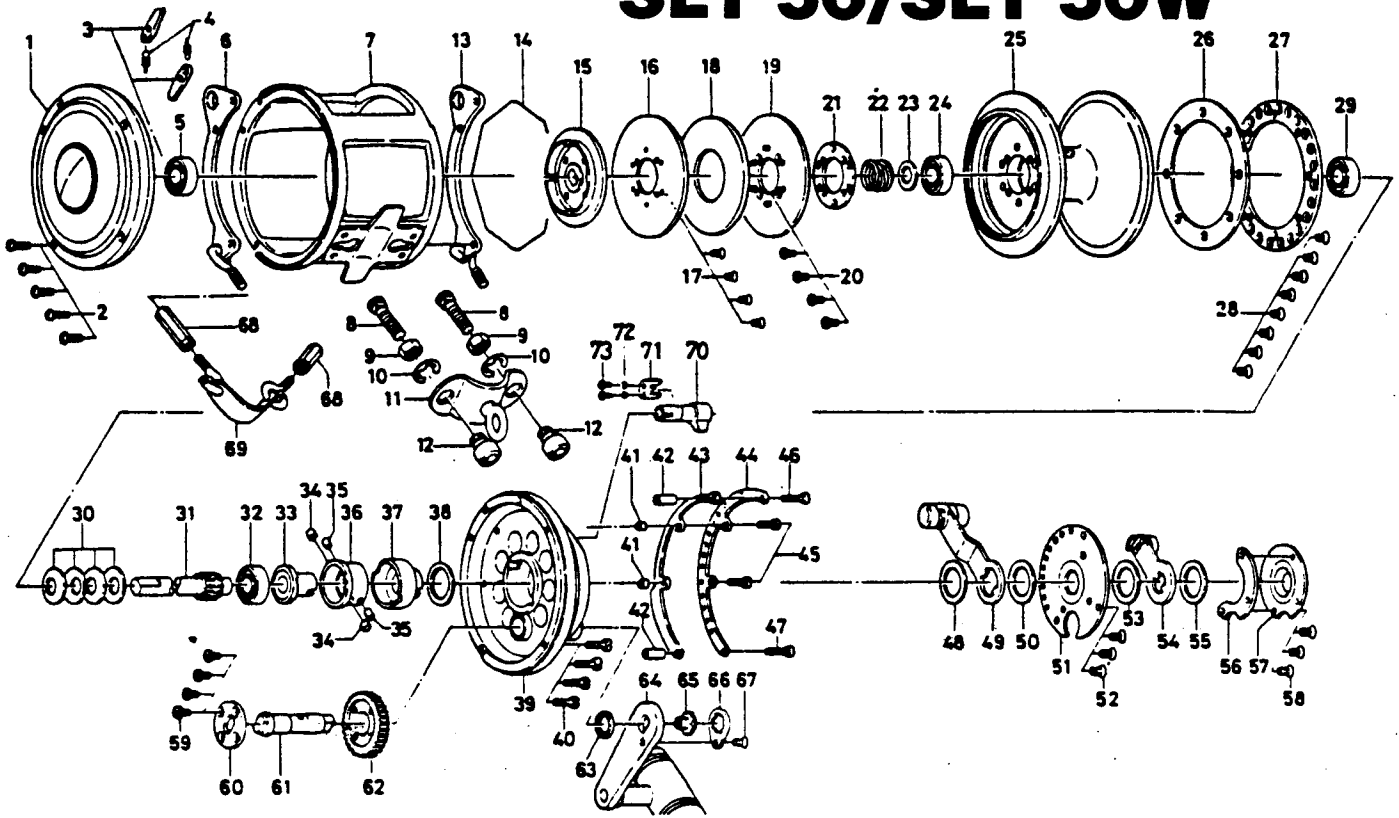


CONVENTIONAL LEVER-DRAG OCEAN REEL **SEALINE** **TOURNAMENT** **SLT 50/SLT 50W**



Key No.	Part No.	Parts Name	Price Each
1	B89-0301	Left side plate	71.60
2	B83-1501	Left side plate screw	0.35
3	B70-4401	Anti-reverse pawl	0.85
4	144-8701	Anti-reverse pawl spring	0.50
5	B88-7801	Ball Bearing	9.05
6	B88-5201	Harness lug	2.80
7	B88-8901	Frame	115.00
8	364-1101	Clamp bolt	0.80
9	B11-0902	Clamp nut	0.90
10	321-1101	Clamp retainer	0.40
11	B89-0601	Rod brace	1.45
12	342-5301	Rod brace nut	1.50
13	B89-0201	Spool retainer	0.65
14	B70-3702	Ratchet plate	17.35
15	B89-0001	Metal drag washer A	8.20
16	B70-3401	Metal drag washer screw A	0.40
17	B89-0101	Drag washer	5.60
18	B88-9901	Metal drag washer B	5.75
19	B00-4301	Metal drag washer screw B	0.35
20	B83-2701	Spool plate	1.45
21	B83-2901	Ball bearing spring	0.45
22	375-0503	Ball bearing washer	0.40
23	B88-7801	Ball bearing	9.05
24	B88-9701	Spool	110.70
25	B88-6101	Click plate A	0.65
26	B88-6002	Click plate B	6.70
27	B70-3401	Click plate screw	0.35
28	B88-7801	Ball bearing	9.05
29	B88-9601	Disc spring washer	0.35
30	B88-9501	Pinion gear	19.05
31	B88-7801	Ball bearing	9.05
32	B88-7701	Eccentric cam A	18.00
33	B83-1301	Eccentric cam pin A	1.80
34	B69-8701	Eccentric cam pin B	2.00
35	B88-7601	Sleeve	6.75
36	B88-7501	Eccentric cam B	22.80
37	B69-5502	Eccentric cam washer	0.45
38	B88-7101	Right side plate	103.50

Key No.	Parts No.	Parts Name	Price Each
39	B83-1501	Right side plate screw	0.35
40	B88-5301	Quadrant ring collar (short)	0.35
41	B70-2501	Quadrant ring collar (long)	0.65
42	B88-9401	Quadrant ring A	3.40
43	B88-9302	Quadrant ring B	6.85
44	B99-8201	Quadrant ring screw A	0.35
45	B83-2401	Quadrant ring screw B	0.65
46	B83-2501	Quadrant ring screw C	0.65
47	B69-5502	Drag lever washer A	0.45
48	B92-1901	Drag lever A	10.60
49	B69-5502	Drag lever washer B	0.45
50	B88-8101	Pre-set plate	12.45
51	353-1201	Bridge cover screw	0.50
52	B69-5502	Drag lever washer C	0.45
53	B92-2001	Drag lever B	11.25
54	B69-5502	Drag lever washer D	0.45
55	B88-3501	Lever support plate	2.65
56	B88-3601	Cover plate	5.45
57	353-1201	Cover plate screw	0.50
58	B70-3401	Drive gear plate screw	0.35
59	B88-4001	Drive gear plate	1.80
60	B88-3901	Drive shaft	11.70
61	B88-8301	Drive gear	20.72
62	B88-4101	Drive shaft washer	0.45
63	B88-8401	Handle	25.15
64	B88-4501	Handle screw	2.95
65	B88-4701	Handle plate	1.90
66	353-1201	Handle plate screw	0.50
67	E05-9101	Click lever	6.00
68	E05-8801	Click lever retainer	1.00
69	160-8401	Click lever retainer washer	0.35
70	351-6407	Click lever retainer screw	0.35

SLT 50W Special Parts

1	B89-6901	Left side plate	60.60
7	B89-6301	Frame	122.00
24	B89-6701	Spool	120.00
30	B89-6601	Pinion gear	20.85