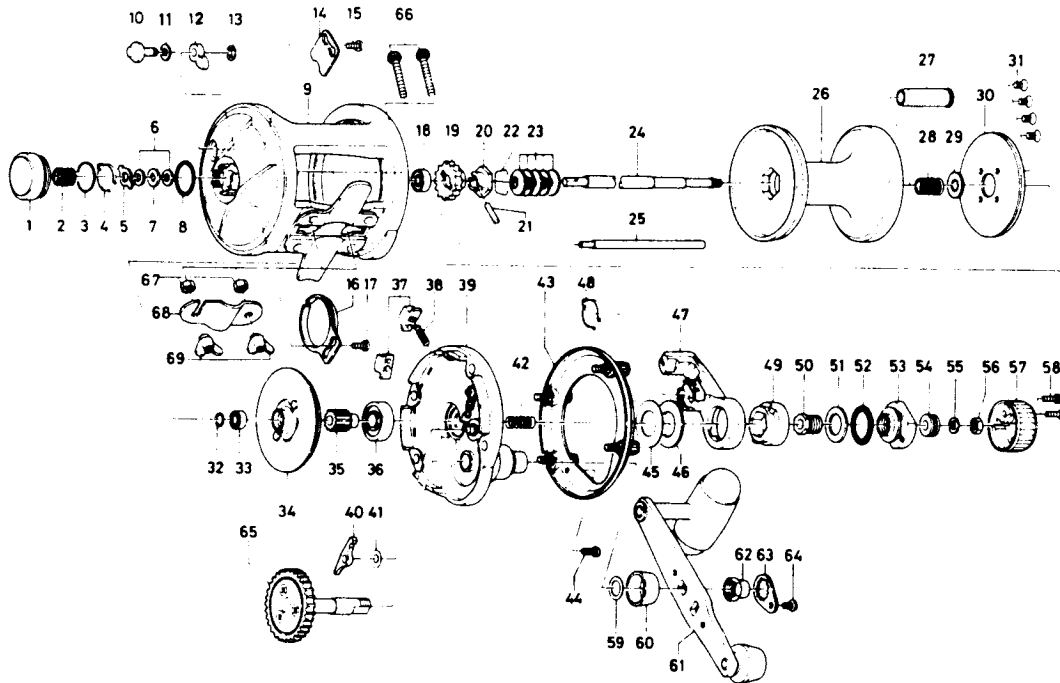


## SEALINE LEVER DRAG LD50H



| Key No. | Parts No. | Parts Name                         | Key No. | Parts No. | Parts Name                   |
|---------|-----------|------------------------------------|---------|-----------|------------------------------|
| 1       | E17-7001  | Cast control cap                   | 36      | E17-5801  | Ball bearing C               |
| 2       | E17-6901  | Spool adjusting spring             | 37      | E17-3101  | Strike stopper button        |
| 3       | E16-0701  | Cast control click spring retainer | 38      | E24-6901  | Strike stopper button spring |
| 4       | E03-3201  | Cast control click spring          | 39      | E18-1901  | Right side plate             |
| 5       | E17-6801  | Cast control eared washer          | 40      | B12-0702  | Anti-reverse pawl            |
| 6       | 376-0901  | Cast control washer                | 41      | 371-6903  | Anti-reverse pawl washer     |
| 7       | E17-6701  | Cast control key washer            | 42      | B33-7601  | Pinion tension spring        |
| 8       | E18-2001  | "O" ring A                         | 43      | E17-3401  | Right side outer ring        |
| 9       | E17-6401  | Frame assembly                     | 44      | E15-7501  | Right side outer ring screw  |
| 10      | E17-6601  | Click button                       | 45      | 375-3514  | Drag lever washer A          |
| 11      | 030-6222  | Click pawl                         | 46      | 375-6502  | Drag lever washer B          |
| 12      | 373-1600  | Click pawl washer                  | 47      | E17-4501  | Drag lever                   |
| 13      | 320-1402  | Click pawl retainer                | 48      | E03-3201  | Drag lever click spring      |
| 14      | E04-3601  | Bearing retainer                   | 49      | E17-4801  | Drag cam                     |
| 15      | B83-4402  | Bearing retainer screw             | 50      | E17-4901  | Drag screw                   |
| 16      | 160-7922  | Click spring                       | 51      | 375-7802  | Drag nut washer              |
| 17      | B83-4402  | Click spring screw                 | 52      | E17-5101  | "O" ring B                   |
| 18      | 633-8811  | Ball bearing A                     | 53      | E17-5001  | Drag nut                     |
| 19      | E17-6301  | Click gear                         | 54      | E17-5201  | Thrust bearing               |
| 20      | E18-1301  | Pin holder                         | 55      | E23-4401  | Main shaft washer            |
| 21      | E20-7601  | Main shaft pin                     | 56      | B01-6803  | Main shaft nut               |
| 22      | E23-4301  | Spring washer retainer             | 57      | E17-5301  | Drag knob                    |
| 23      | E17-6201  | Spring washer                      | 58      | 351-1102  | Drag knob screw              |
| 24      | E17-4401  | Main shaft assembly                | 59      | 373-7800  | Drive shaft washer           |
| 25      | E17-5701  | Frame guard                        | 60      | E18-1001  | Handle screw cover           |
| 26      | E17-5901  | Spool                              | 61      | E17-5501  | Handle assembly              |
| 27      | E21-9101  | Spool metal                        | 62      | B86-2402  | Handle nut                   |
| 28      | E23-6601  | Spool metal spring                 | 63      | 040-3201  | Handle nut plate             |
| 29      | B01-3801  | Spool metal spring washer          | 64      | 351-1803  | Handle nut plate screw       |
| 30      | E18-1101  | Drag washer                        | 65      | E21-7701  | Drive gear                   |
| 31      | 353-6201  | Drag washer screw                  | 66      | 353-9801  | Clamp bolt                   |
| 32      | E09-6502  | Bearing washer                     | 67      | 341-9701  | Rod brace nut                |
| 33      | B35-8601  | Ball bearing B                     | 68      | 041-5601  | Rod brace                    |
| 34      | E17-3901  | Drag plate                         | 69      | 342-2111  | Clamp nut                    |
| 35      | E17-3801  | Pinion gear                        |         |           |                              |