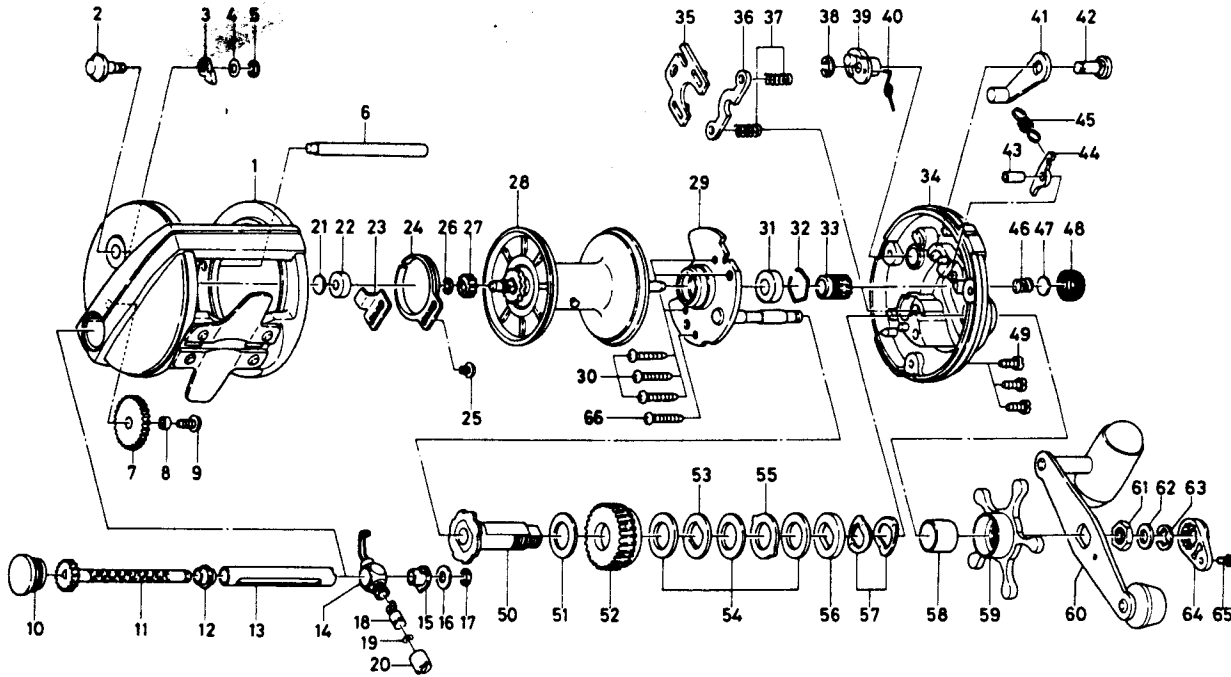


# MULTIPLYING REEL — SL175H



Key				Key			
No.	Part No.	Part Name	Price	No.	Part No.	Part Name	Price
1	L12-1701	Frame assembly	19.65	34	E07-2702	Right side plate	8.30
2	B21-6602	Click button	3.70	35	041-5701	Yoke plate	1.65
3	030-6611	Click pawl	1.25	36	041-5801	Yoke	1.35
4	373-1600	Click pawl washer	.60	37	144-7101	Yoke spring	.55
5	320-1402	Click pawl retainer	.55	38	320-7601	Clutch cam retainer	.70
6	B21-6301	Stabilizer bar	2.35	39	E04-2901	Clutch cam	2.20
7	B21-5801	Idle gear	1.10	40	145-2501	Clutch cam spring	.55
8	B65-6201	Idle gear collar	.55	41	782-5404	Clutch lever	2.35
9	E10-7401	Idle gear screw	.45	42	E04-3002	Clutch lever ping	2.65
10	B40-6704	Left side cap	2.25	43	E08-1801	Anti-reverse pawl collar	.75
11	B21-5901	Worm shaft	9.50	44	B12-0702	Anti-reverse pawl	1.40
12	B10-0301	Worm bearing A	.70	45	145-2801	Anti-reverse pawl spring	.60
13	B21-6201	Level wind guard	5.35	46	E23-5301	Spool tension spring	.50
14	B21-6401	Line guard	7.10	47	375-7405	Spacer A	.60
15	B09-9701	Worm bearing B	.70	48	B93-9702	Cast control cap	3.30
16	373-1302	Worm shaft holder washer	.60	49	E04-3702	Set plate screw	.60
17	320-5901	Worm shaft retainer	.50	50	L12-1101	Drive shaft	12.85
18	E24-0901	Line guide pawl	3.25	51	375-2901	Drive shaft washer	.45
19	375-0800	Line guide washer	.40	52	E07-4701	Drive gear	13.50
20	341-5901	Pawl cap	1.65	53	375-6203	Key washer A	1.80
21	375-7403	Ball bearing metal washer	.70	54	B12-1503	Drag washer	2.60
22	637-5601	Bush A	2.75	55	375-6302	Eared washer	1.70
23	B21-5501	Click spring retainer	1.20	56	375-6204	Key washer B	2.30
24	160-7922	Click spring	2.75	57	151-8701	Drag spring washer	1.60
25	B83-4402	Click spring screw	.50	58	B36-5101	Spacing sleeve	1.85
26	320-8002	Bearing retainer	.45	59	L12-1301	Star drag	8.50
27	403-2901	Spool gear	2.30	60	L12-1501	Handle assembly	14.50
26-28	E07-5402	Spool assembly	24.50	61	B26-7403	Handle nut	.75
29	E07-4502	Set plate	12.50	62	371-0605	Handle nut washer	.40
30	E04-3301	Set plate screw A	.65	63	320-7601	Handle nut retainer	.70
31	B73-8001	Bush B	3.00	64	B15-2302	Handle nut plate	.65
32	170-7701	Bearing retainer	.45	65	351-1803	Handle nut plate screw	.45
33	B76-2601	Pinion gear	12.00	66	E04-3301	Set plate screw B	.60

NEW PARTS LIST. NOTE: New model has blue line. Old model is red line.