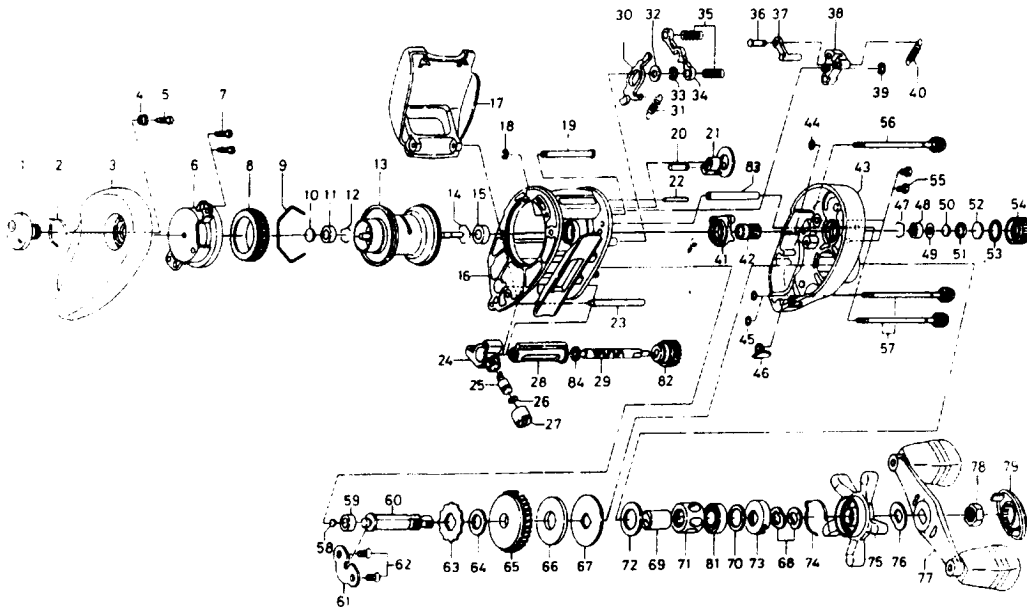


BAITCASTING REEL TEAMDAIWA-S103Hi/100Hi/105Hi



| Key No. | Parts No. | Parts Name |
|---------|-----------|-------------------------------|
| 1 | F02-9609 | Brake adjusting knob |
| 2 | F05-1701 | Brake click spring |
| 3 | F02-9211 | Left side plate |
| 4 | F02-9801 | Brake adjusting knob collar |
| 5 | E15-7502 | Brake adjusting knob screw |
| 6 | F44-1302 | Left set plate |
| 7 | E15-7502 | Left set plate screw |
| 8 | F44-1901 | Magnet holder |
| 9 | B54-3201 | Magnet holder ret. ring |
| 10 | 374-9102 | Spacer A |
| 11 | E08-8001 | Ball bearing A |
| 12 | E21-9701 | Bearing retainer A |
| 13 | F44-2001 | Spool assembly |
| 14 | B42-1601 | Bearing retainer B |
| 15 | B35-8601 | Ball bearing B |
| 16 | F43-3604 | Frame assembly |
| 17 | E39-3413 | Parming plate |
| 18 | B86-4101 | Stabilizer bar screw |
| 19 | E39-2001 | Stabilizer bar A |
| 20 | E39-1901 | Flipping/casting selector pin |
| 21 | F02-6702 | Flipping/casting selector |
| 22 | E19-6801 | Stabilizer bar B |
| 23 | F02-9001 | Stabilizer bar C |
| 24 | E39-3301 | Line guide |
| 25 | 121-4212 | Line guide pawl |
| 26 | 375-4101 | Line guide washer |
| 27 | F40-2801 | Pawl cap |
| 28 | F03-6001 | Level wind guard |
| 29 | E24-7101 | Worm shaft |
| 30 | F02-7101 | Clutch trip plate |
| 31 | E43-0001 | Clutch trip plate spring |
| 32 | 371-6903 | Clutch trip plate washer |
| 33 | 320-1402 | Clutch trip plate retainer |
| 34 | E30-4301 | Yoke |
| 35 | E23-6401 | Yoke spring |
| 36 | E19-7201 | Clutch trip plate arm pin |
| 37 | E19-7101 | Clutch trip plate arm |
| 38 | F02-6601 | Clutch cam |
| 39 | B33-9801 | Clutch cam retainer |
| 40 | F05-3101 | Clutch cam spring |
| 41 | E44-3801 | Yoke plate |
| 42 | F25-2801 | Pinion gear |
| 43 | F09-6613 | Right side plate |
| 44 | B85-3101 | "O" ring A |
| 45 | B85-3101 | "O" ring B |
| 46 | E16-9504 | Line holder |
| 47 | E21-9701 | Bearing retainer C |
| 48 | E08-8001 | Ball bearing C |
| 49 | E25-6101 | Oiled washer A |
| 50 | 374-9102 | Spool adjusting cap metal |
| 51 | E23-0501 | Spacer B |

| Key No. | Parts No. | Parts Name |
|---------|-----------|----------------------------|
| 52 | B17-5503 | Spacer C |
| 53 | 171-5201 | "O" ring C |
| 54 | B85-3406 | Cast control cap |
| 55 | 353-4401 | Set plate screw |
| 56 | B91-1729 | Right side plate screw A |
| 57 | B91-1728 | Right Side plate screw B |
| 58 | 612-0201 | Drive shaft washer |
| 59 | 835-8601 | Ball bearing D |
| 60 | F44-1101 | Drive shaft |
| 61 | E19-9401 | Drive shaft retainer |
| 62 | B39-5503 | Drive shaft retainer screw |
| 63 | E32-7701 | Anti-reverse ratchet |
| 64 | E42-5301 | Drive shaft washer B |
| 65 | F02-7701 | Drive gear |
| 66 | F02-7801 | Drag washer |
| 67 | F06-2501 | Key washer |
| 68 | 150-8901 | Drag spring washer |
| 69 | F05-3301 | Gear shaft collar |
| 70 | B55-3801 | Oiled washer B |
| 71 | F29-9401 | Roller clutch |
| 72 | E42-5401 | Spacing sleeve |
| 73 | F02-8201 | Click leaf spring holder |
| 74 | F03-2401 | Click leaf spring |
| 75 | F02-8305 | Star drag |
| 76 | 150-9001 | Friction washer |
| 77 | F44-1202 | Handle assembly |
| 78 | B43-3601 | Handle nut |
| 79 | F40-8401 | Handle nut plate |
| 81 | F05-5501 | Ball bearing E |
| 82 | B99-2001 | Worm shaft gear |
| 83 | E42-5901 | Stabilizer bar D |

TD-S100HI SPECIAL PARTS

| | | |
|----|----------|----------------------|
| 1 | F02-9608 | Brake adjusting knob |
| 6 | F44-1301 | Left set plate |
| 8 | F44-1801 | Magnet holder |
| 13 | F44-2801 | Spool assembly |
| 16 | F43-3603 | Frame assembly |
| 17 | E39-3412 | Parming plate |
| 54 | B85-3405 | Cast control cap |
| 77 | F44-1201 | Handle assembly |

TD-S105HI SPECIAL PARTS

| | | |
|----|----------|----------------------|
| 1 | F02-9610 | Brake adjusting knob |
| 6 | F44-1501 | Left set plate |
| 8 | B66-1201 | Magnet holder |
| 13 | F44-2101 | Spool assembly |
| 16 | F43-3605 | Frame assembly |
| 17 | E39-3414 | Parming plate |
| 54 | B85-3407 | Cast control cap |
| 77 | F44-1203 | Handle assembly |