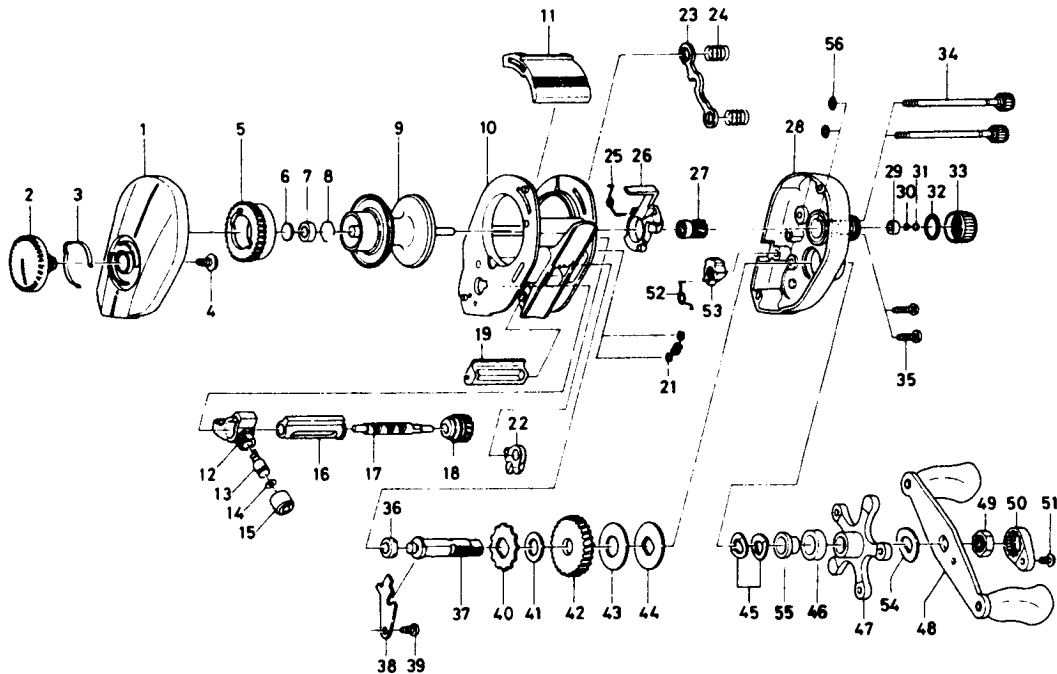


BAITCASTING REEL MA10G/15G



| Key No. | Parts No. | Parts Name | Key No. | Parts No. | Parts Name |
|---------|-----------|----------------------------|---------|-----------|----------------------------|
| 1 | E23-8901 | Left side plate | 33 | E23-8401 | Cast control cap |
| 2 | E23-9701 | Brake adjusting knob | 34 | B91-1706 | Right side plate screw |
| 3 | B74-7702 | Brake click spring | 35 | E13-0501 | Set plate screw |
| 4 | B84-2102 | Brake adjusting knob screw | 36 | B55-0301 | Bushing C |
| 5 | E23-9501 | Magnet holder | 37 | E23-7501 | Drive shaft |
| 6 | 375-7400 | Spacer A | 38 | E23-7601 | Drive shaft retainer |
| 7 | B55-0301 | Bushing A | 39 | B83-4402 | Drive shaft retainer screw |
| 8 | B42-1601 | Bearing retainer A | 40 | E32-7701 | Anti-reverse ratchet |
| 9 | E23-9901 | Spool assembly | 41 | 375-7103 | Drive shaft washer |
| 10 | E37-0401 | Frame assembly | 42 | B36-0102 | Drive gear |
| 11 | E23-7101 | Clutch lever | 43 | B36-0202 | Drag washer |
| 12 | E16-6301 | Line guide | 44 | B36-0301 | Key washer |
| 13 | 121-4212 | Line guide pawl | 45 | 150-8901 | Drag spring washer |
| 14 | 375-4100 | Line guide washer | 46 | E32-6401 | Spacing sleeve A |
| 15 | 342-4801 | Pawl cap | 47 | E23-8701 | Star drag |
| 16 | E23-8201 | Level wind guard | 48 | E30-5201 | Handle assembly |
| 17 | E24-7101 | Worm shaft | 49 | B43-3601 | Handle nut |
| 18 | B99-2001 | Worm shaft gear | 50 | B43-3902 | Handle nut plate |
| 19 | E23-7002 | Line guard | 51 | 351-1801 | Handle nut plate screw |
| 21 | E30-6001 | Clutch trip plate spring | 54 | 150-9001 | Friction washer |
| 22 | E23-8001 | Anti-reverse pawl | 55 | E34-6801 | Spacing sleeve B |
| 23 | E23-7701 | Yoke | 56 | B85-3101 | "O" ring B |
| 24 | E16-7101 | Yoke spring | | | |
| 25 | E34-6601 | Clutch cam spring | | | |
| 26 | E23-7401 | Clutch cam | | | |
| 27 | E23-7801 | Pinion gear | | | |
| 28 | E23-8301 | Right side plate | | | |
| 29 | E34-2401 | Bushing B | | | |
| 30 | E16-9201 | Spool adjusting cap metal | | | |
| 31 | E17-0501 | Spacer B | | | |
| 32 | 171-5201 | "O" ring A | | | |

MA15G Special Parts

| | |
|----|----------|
| 1 | E23-8904 |
| 9 | E28-5303 |
| 10 | E37-0801 |
| 11 | E28-3701 |
| 16 | E31-2001 |
| 17 | E28-4601 |
| 19 | E28-3502 |
| 28 | E23-8304 |
| 34 | B91-1708 |
| 52 | E31-1801 |
| 53 | E30-9501 |

| |
|---------------------------|
| Left side plate |
| Spool assembly |
| Frame assembly |
| Clutch lever |
| Level wind guard |
| Worm shaft |
| Line guard |
| Right side plate |
| Right side plate screw |
| Anti-reverse lever spring |
| Anti-reverse lever |