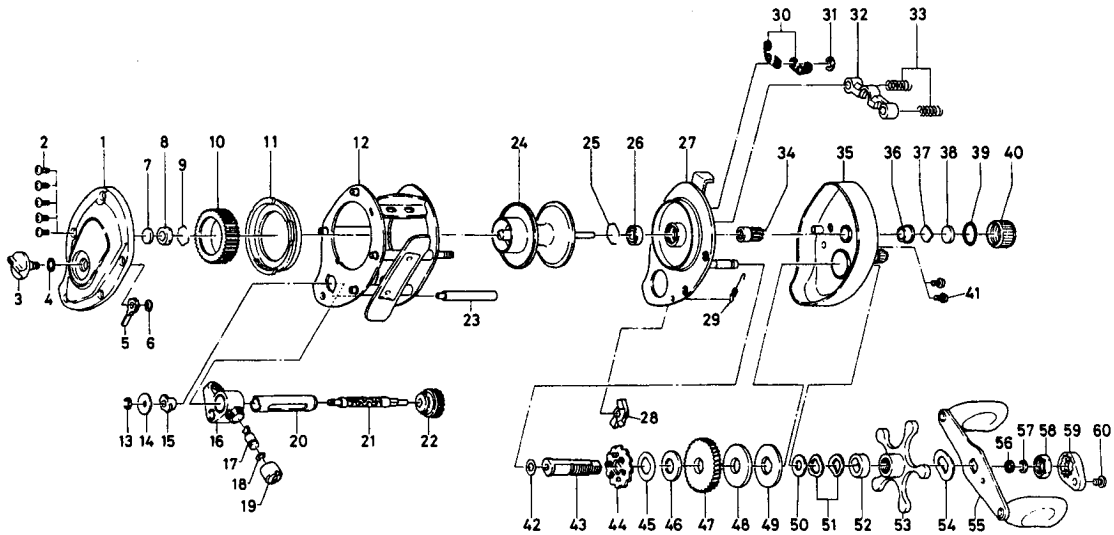


## BAITCASTING REEL PM10S



Key No.	Parts No.	Parts Name	Key No.	Parts No.	Parts Name
1	E09-7101	Left side plate	31	320-1402	Clutch retaining ring
2	B36-0401	Left side plate screw	32	B35-9001	Yoke
3	B66-1001	Brake adjusting knob	33	144-7101	Yoke spring
4	637-0601	"O" ring	34	B87-0901	Pinion gear
5	B54-1701	Brake adjusting gear	35	E09-6901	Right side plate
6	320-4202	Brake adjusting gear retainer	36	B64-3101	Bushing
7	375-7400	Spacer	37	B17-5401	Spool adjusting cap metal
8	B55-0301	Bushing	38	B17-5501	Spacer
9	B42-1601	Bearing retainer	39	B17-5201	"O" ring
10	B66-1201	Magnet holder	40	B35-7304	Cast control cap
11	E03-1601	Magnet holder collar	41	B36-0401	Set plate screw
12	E09-7301	Frame assembly	42	373-7611	Drive shaft washer A
13	320-5901	Worm shaft retainer	43	B35-9602	Drive shaft
14	376-1801	Worm shaft holder washer	44	B86-5101	Anti-reverse ratchet
15	B71-5601	Worm bearing	45	B95-7501	Drive shaft washer B
16	B57-8701	Pawl holder	46	375-7103	Drag washer A
17	B71-0101	Line guide pawl	47	B85-2101	Drive gear
18	375-4100	Line guide washer	48	B36-0202	Drag washer B
19	342-4801	Pawl cap	49	B36-0301	Key washer
20	B99-1801	Level wind guard	50	373-7803	Drag washer C
21	B99-1901	Worm shaft	51	150-8901	Drag spring washer
22	B99-2001	Worm shaft gear	52	634-5801	Spacing sleeve
23	B36-3401	Stabilizer bar	53	B57-8201	Star drag
24	E09-7501	Spool assembly	54	150-9001	Friction washer
25	B42-1601	Bearing retainer	55	E09-7001	Handle assembly
26	B55-0301	Bushing	56	B41-1701	Drive shaft washer
27	B57-7903	Set plate	57	320-8202	Drive shaft retainer
28	B68-2801	Anti-reverse pawl	58	B43-3601	Handle nut
29	B35-8901	Anti-reverse pawl spring	59	B43-3902	Handle nut plate
30	B12-7601	Set plate spring	60	351-1801	Handle nut plate screw