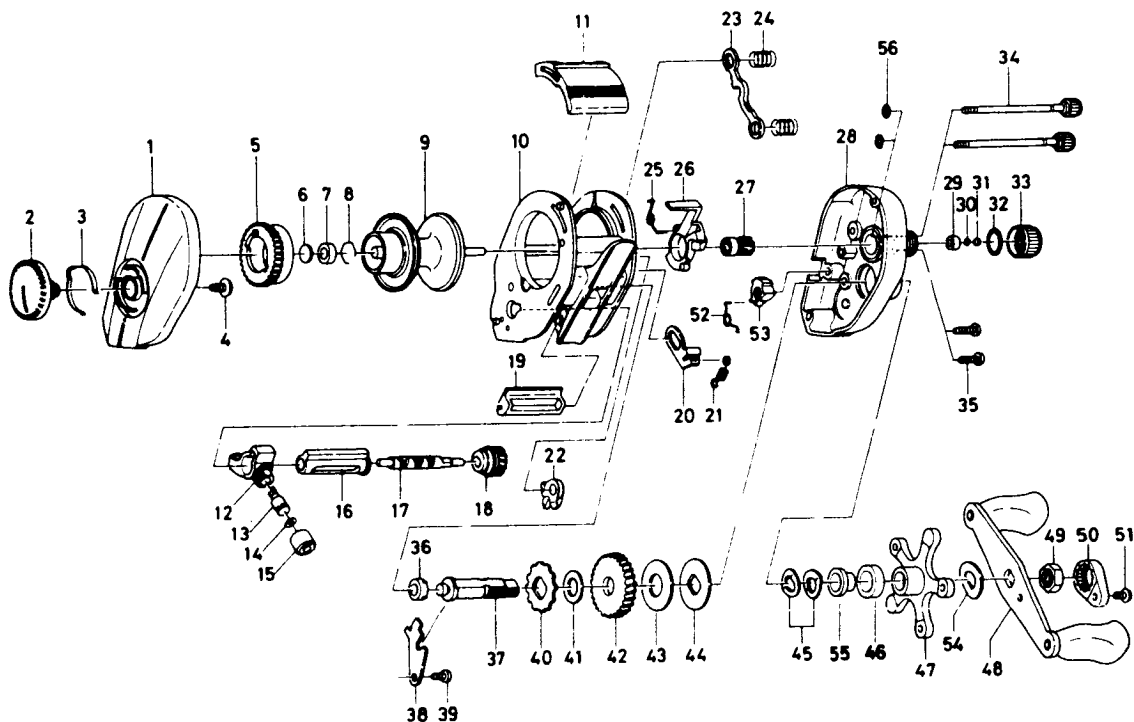


BAITCASTING REEL PMA1500R



Key No.	Parts No.	Parts Name
1	E23-8917	Left side plate
2	E23-9705	Brake adjusting knob
3	B74-7702	Brake click spring
4	B84-2102	Brake adjusting knob screw
5	E23-9501	Magnet holder
6	375-7400	Spacer A
7	B55-0301	Bushing A
8	B42-1601	Bearing retainer
9	E28-5303	Spool assembly
10	E35-2102	Frame assembly
11	E28-3701	Clutch lever
12	E16-6301	Line guide
13	121-4212	Line guide pawl
14	375-4100	Line guide washer
15	342-4801	Pawl cap
16	E31-2001	Level wind guard
17	E28-4601	Worm shaft
18	B99-2001	Worm shaft gear
19	E28-3502	Line guard
20	E23-7301	Clutch trip plate
21	E30-6001	Clutch trip plate spring
22	E23-8001	Anti-reverse pawl
23	E23-7701	Yoke
24	E16-7101	Yoke spring
25	E34-6601	Clutch cam spring
26	E23-7401	Clutch cam
27	E23-7801	Pinion gear
28	E23-8321	Right side plate

Key No.	Parts No.	Parts Name
29	E34-2401	Bushing B
30	E16-9201	Spool adjusting cap metal
31	E17-0501	Spacer B
32	171-5201	"O" ring A
33	E23-8401	Cast control cap
34	B91-1708	Right side plate screw
35	E13-0501	Set plate screw
36	B55-0301	Bushing C
37	E23-7501	Drive shaft
38	E23-7601	Drive shaft retainer
39	B83-4402	Drive shaft retainer screw
40	E32-7701	Anti-reverse ratchet
41	375-7103	Drive shaft washer
42	B36-0102	Drive gear
43	B36-0202	Drag washer
44	B36-0301	Key washer
45	150-8901	Drag spring washer
46	E32-6401	Spacing sleeve A
47	E23-8701	Star drag
48	E30-5201	Handle assembly
49	B43-3601	Handle nut
50	B43-3902	Handle nut plate
51	351-1801	Handle nut plate screw
52	E31-1801	Anti-reverse lever spring
53	E30-9501	Anti-reverse lever
54	150-9001	Friction washer
55	E34-6801	Spacing sleeve B
56	B85-3101	"O" ring B