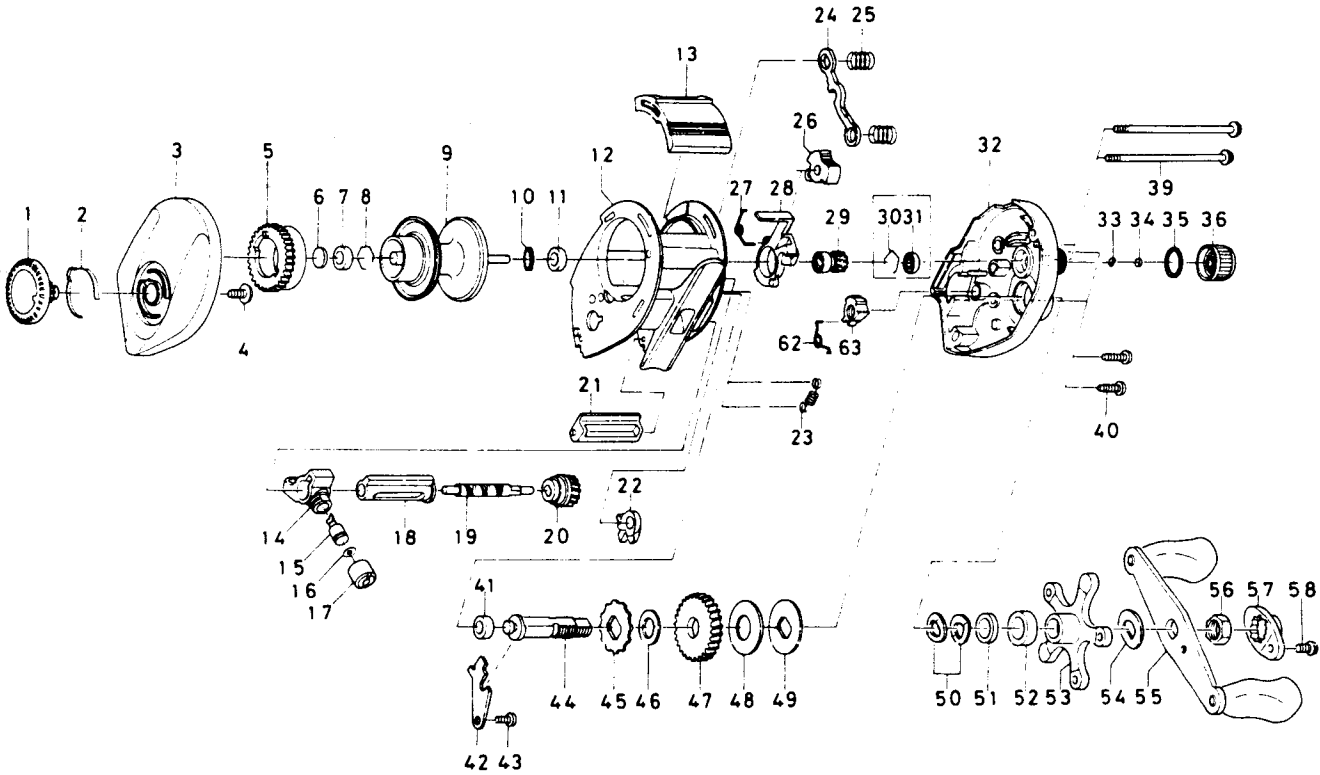


## BAITCASTING REEL — PT1500F



Key No.	Part No.	Part Name	Price
1	F15-7401	Brake adjusting knob	2.60
2	F03-2401	Brake click spring	.60
3	F13-7207	Left side plate	8.80
4	B84-2102	Brake adjusting knob screw	.50
5	E23-9501	Magnet holder	2.85
6	375-7400	Spacer A	.60
7	B55-0301	Bushing A	1.50
8	B42-1601	Bearing retainer A	.45
9	F05-4901	Spool assembly	10.00
10	F12-0701	Ball bearing retaining ring	1.15
11	B35-8601	Ball bearing A	8.75
12	F05-3702	Frame assembly	8.50
13	F05-4001	Clutch lever	1.30
14	E16-6301	Line guide	4.10
15	121-4212	Line guide pawl	2.85
16	375-4101	Line guide washer	.30
17	342-4801	Pawl cap	1.55
18	E31-2001	Level wind guard	1.40
19	E45-1201	Worm shaft	1.55
20	F08-5201	Worm shaft gear	1.55
21	F05-3902	Line guard	1.45
22	E23-8001	Anti-reverse pawl	2.30
23	E16-5801	Clutch trip plate spring	.85
24	E23-7701	Yoke	.85
25	E16-7101	Yoke spring	.60
26	E24-9101	Flipping / casting selector	.70
27	E24-9001	Clutch cam spring	.60
28	E23-7401	Clutch cam	.85

Key No.	Part No.	Part Name	Price
29	E42-0901	Pinion gear	6.95
32	F05-4224	Right side plate	8.60
33	E16-9203	Spool adjusting cap metal	.60
34	E17-0501	Spacer B	.50
35	171-5201	"O" ring A	1.15
36	E23-8401	Cast control cap	.60
39	E28-4901	Right side plate screw	1.15
40	E33-0401	Set plate screw	.60
41	B55-0301	Bushing A	1.50
42	E23-7601	Drive shaft retainer	.65
43	B83-4402	Drive shaft retainer screw	.50
44	E23-7501	Drive shaft	5.60
45	E32-7701	Anti-reverse ratchet	1.15
46	375-7103	Drive shaft washer	.60
47	F12-6701	Drive gear	7.20
48	B36-0202	Drag washer	1.10
49	B36-0301	Key washer	.80
50	150-8901	Drag spring washer	.55
51	E20-8501	Spacing sleeve	1.15
52	E15-4001	Ball bearing B	6.85
53	E23-8702	Star drag	2.50
54	150-9001	Friction washer	.45
55	E30-5201	Handle assembly	4.95
56	B43-3601	Handle nut	1.15
57	F05-4401	Handle nut plate	.95
58	351-1801	Handle nut plate screw	.45
62	F12-0501	Anti-reverse lever spring	.70
63	E30-9501	Anti-reverse lever	.75