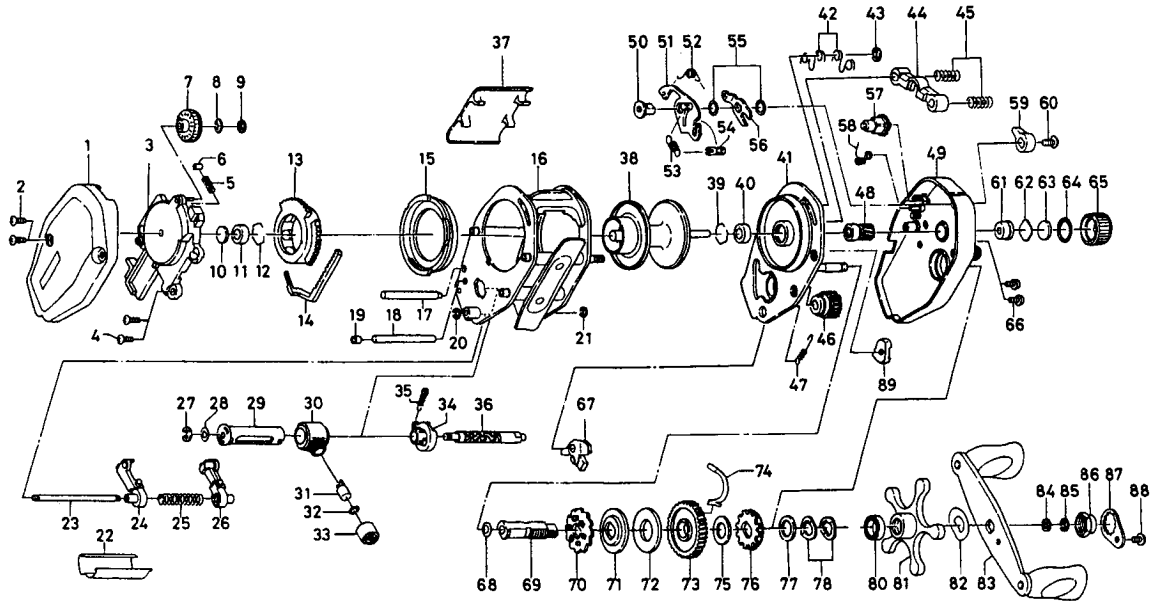


BAITCASTING REEL PT10X/15X



Key No.	Parts No.	Parts Name
1	E01-7701	Left side plate
2	B36-0402	Left side plate screw
3	E01-8102	Set plate A
4	B36-0401	Set plate screw
5	B90-8301	Brake click spring
6	E04-9301	Brake click
7	E01-8701	Brake dial
8	B13-0802	Brake dial washer
9	B86-4101	Brake dial retainer
10	375-7400	Spacer
11	B35-8601	Ball bearing
12	B42-1601	Bearing retainer
13	E01-9102	Magnet holder
14	E01-9001	Indicator
15	E03-1601	Magnet holder collar
16	E10-5401	Frame assembly
17	E03-1401	Stabilizer bar A
18	B98-7101	Stabilizer bar B
19	B98-4501	Stabilizer bar collar
20	B86-4101	Stabilizer bar retainer
21	B86-4101	Stabilizer bar retainer
22	B98-7201	Line guard
23	B86-3501	Stabilizer bar C
24	B98-6902	Line guide A
25	B86-3601	Line guide spring
26	B98-6602	Line guide B
27	320-5901	Worm shaft retainer
28	373-1300	Worm shaft holder washer
29	E07-3902	Level wind guard
30	E12-0901	Line guide pawl holder
31	B91-2601	Line guide pawl
32	375-4100	Line guide washer
33	342-4801	Pawl cap
34	B98-7502	Worm bearing
35	B98-7801	Worm bearing spring
36	B98-7401	Worm shaft
37	E10-5502	Palming plate
38	B87-3001	Spool assembly
39	B42-1601	Bearing retainer
40	B35-8601	Ball bearing
41	E10-5004	Set plate B
42	E10-5601	Set plate spring
43	320-1402	Clutch retaining ring
44	B35-9001	Yoke
45	144-7101	Yoke spring
46	B98-4301	Worm shaft gear
47	B35-8901	Anti-reverse pawl spring
48	B87-0901	Pinion gear
49	E10-6001	Right side plate
50	E10-4601	Flipping cam shaft
51	E10-4101	Flipping plate
52	E10-4701	Flipping cam spring

Key No.	Parts No.	Parts Name
53	E10-4901	Flipping plate spring
54	E10-4801	Flipping pin
55	E09-6502	Flipping cam washer
56	E10-4501	Flipping cam
57	B98-3701	Line memo dial
58	E10-4001	Line memo dial spring
59	B85-9501	Flipping lever
60	351-1803	Flipping lever screw
61	B84-3101	Bushing
62	B17-5401	Spool adjusting cap metal
63	B17-5501	Spacer
64	T71-5201	"O" ring
65	B35-7305	Cast control cap
66	B38-0402	Right side plate screw
67	B74-0501	Anti-reverse pawl
68	373-7811	Drive shaft washer A
69	B35-9602	Drive shaft
70	B86-5101	Anti-reverse ratchet
71	B85-4801	Drive shaft washer B
72	B36-0202	Drag washer A
73	E01-6802	Drive gear
74	E01-7401	Click spring
75	375-7101	Drag washer B
76	E04-9102	Key washer
77	373-7800	Drag washer C
78	150-8901	Drag spring washer
80	634-5801	Spacing sleeve
81	E02-8902	Star drag
82	150-9001	Friction washer
83	B75-9502	Handle assembly
84	B41-1700	Drive shaft washer C
85	320-8202	Drive shaft retainer
86	341-5802	Handle nut
87	040-3201	Handle nut plate
88	353-8302	Handle nut plate screw
89	E14-6601	Flipping pin holder

PT15X Special Parts

Key No.	Parts No.	Parts Name
16	E10-5801	Frame assembly
17	E03-1501	Stabilizer bar A
18	B98-9001	Stabilizer bar B
22	B98-9101	Line guard
23	B98-8901	Stabilizer bar C
25	B92-7201	Line guide spring
29	E07-4002	Level wind guard
36	B98-9201	Worm shaft
37	E10-5702	Palming plate
38	B89-2602	Spool assembly
49	E10-6002	Right side plate
57	B98-3702	Line memo dial