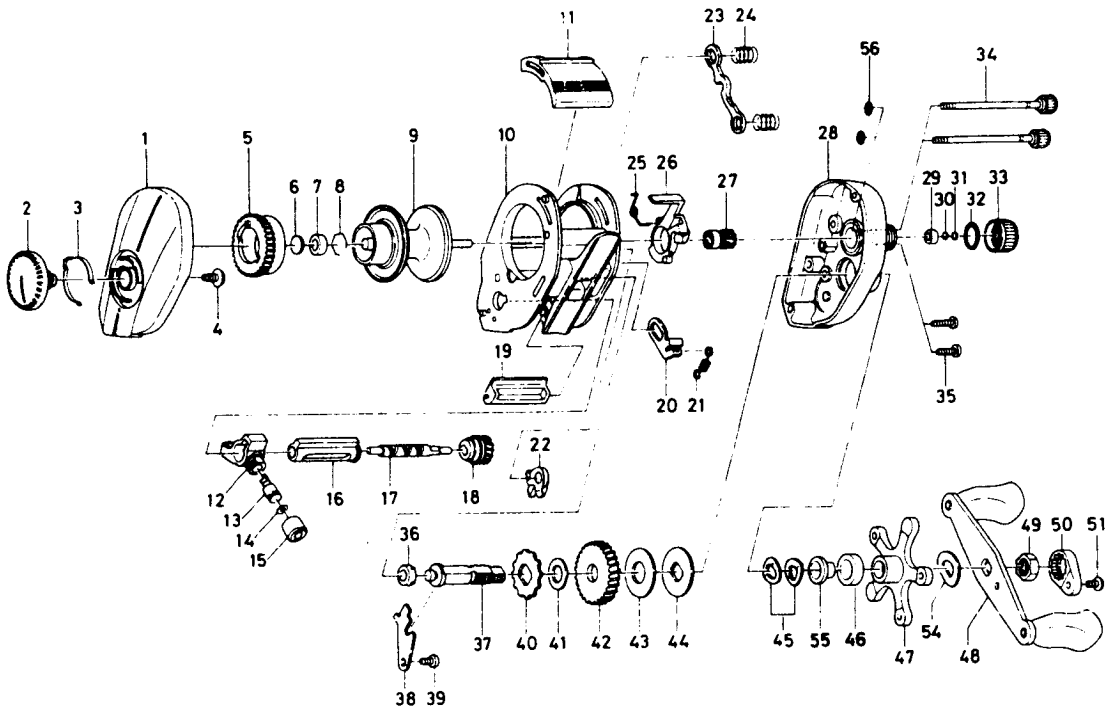


BAITCASTING REEL RS1100



Key No.	Parts No.	Parts Name	Key No.	Parts No.	Parts Name
1	E23-8913	Left side plate	28	E23-8313	Right side plate
2	E23-9704	Brake adjusting knob	29	E34-2401	Bushing B
3	B74-7702	Brake click spring	30	E16-9201	Spool adjusting cap metal
4	E03-7801	Brake adjusting knob screw	31	E17-0501	Spacer B
5	E23-9501	Magnet holder	32	171-5201	"O" ring B
6	375-7400	Spacer A	33	E23-8401	Cast control cap
7	B55-0301	Bushing A	34	B91-1706	Right side plate screw
8	B42-1601	Bearing retainer A	35	E13-0501	Set plate screw
9	E23-9901	Spool assembly	36	B55-0301	Bushing C
10	E35-2001	Frame assembly	37	E23-7501	Drive shaft
11	E23-7104	Clutch lever	38	E23-7601	Drive shaft retainer
12	E16-6301	Line guide	39	B83-4402	Drive shaft retainer screw
13	121-4212	Line guide pawl	40	E32-7701	Anti-reverse ratchet
14	375-4100	Line guide washer	41	375-7103	Drive shaft washer
15	342-4801	Pawl cap	42	B36-0102	Drive gear
16	E23-8201	Level wind guard	43	B36-0202	Drag washer
17	E24-7101	Worm shaft	44	B36-0301	Key washer
18	B99-2001	Worm shaft gear	45	150-8901	Drag spring washer
19	E24-9403	Line guard	46	E32-6401	Spacing sleeve A
20	E23-7301	Clutch trip plate	47	E23-8701	Star drag
21	E30-6001	Clutch trip plate spring	48	E34-7601	Handle assembly
22	E23-8001	Anti-reverse pawl	49	B43-3601	Handle nut
23	E23-7701	Yoke	50	B43-3902	Handle nut plate
24	E16-7101	Yoke spring	51	351-1801	Handle nut plate screw
25	E34-6601	Clutch cam spring	54	150-9001	Friction washer
26	E23-7401	Clutch cam	55	E34-6801	Spacing sleeve B
27	E23-7801	Pinion gear	56	B85-3101	"O" ring B