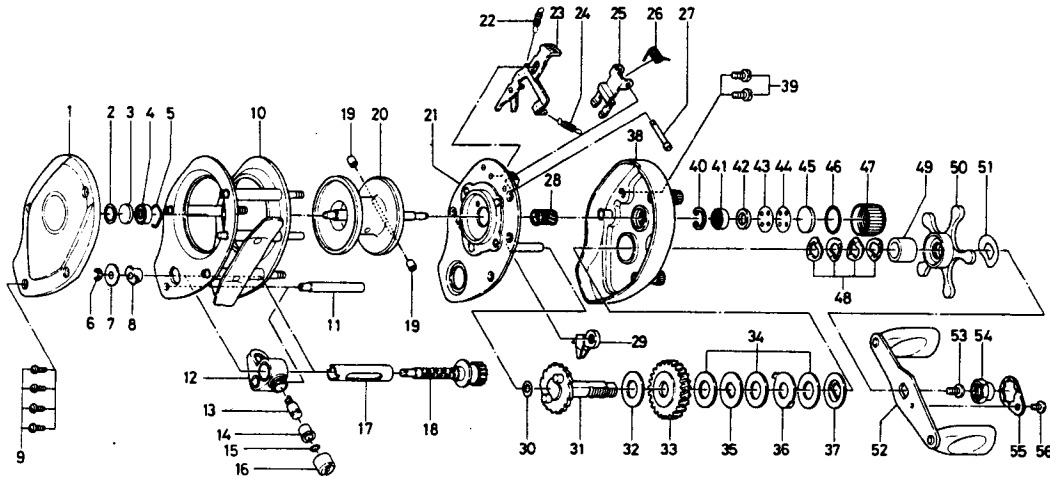


BAITCASTING REEL SM-2A



Key No.	Parts No.	Parts Name	Key No.	Parts No.	Parts Name
1	6-760-4502	Left side cover	29	6-770-1801	Anti-reverse claw
2	6-375-8501	Ball bearing washer A	30	6-373-7611	Gear shaft washer A
3	6-B24-2901	Bearing metal	31	6-720-2001	Gear shaft
4	6-637-4601	Ball bearing	32	6-374-9302	Gear shaft washer B
5	6-B09-5601	Ball bearing retainer	33	6-413-8802	Drive gear
6	6-320-5901	Worm shaft retainer	34	6-374-9305	Drag washer A
7	6-376-1801	Worm shaft holder washer	35	6-374-9401	Drag washer B
8	6-022-2201	Worm shaft holder	36	6-375-8701	Drag washer C
9	6-352-4221	Left side cover screw	37	6-376-0001	Drag washer D
10	6-760-4601	Frame	38	6-760-4410	Right side cover
11	6-051-4701	Frame post	39	6-353-1701	Right side cover screw
12	6-782-8801	Line guide	40	6-320-6501	Ball bearing ret. ring
13	6-121-4211	Line guide pin	41	6-637-4601	Ball bearing
14	6-022-2901	Line guide pin holder	42	6-502-0901	Ball bearing washer B
15	6-375-4100	Line guide washer	43	6-373-7502	Ball bearing ret. washer A
16	6-342-4801	Line guide nut	44	6-373-7500	Ball bearing ret. washer B
17	6-637-1201	Worm shield	45	6-374-7221	Rubber washer
18	6-711-5103	Worm shaft	46	6-B05-5201	"O" ring
19	6-500-8011	Brake collar	47	6-342-1002	Right spool cap
20	6-733-0902	Spool	48	6-150-8901	Spring washer
21	6-782-3401	Set plate	49	6-502-0801	Spacing sleeve
22	6-144-8601	Clutch lever spring A	50	6-780-9804	Star drag
23	6-782-3501	Clutch lever	51	6-150-9001	Handle washer
24	6-144-8701	Clutch lever spring B	52	6-747-1701	Handle
25	6-041-4301	Clutch stopper plate	53	6-353-0701	Handle screw
26	6-144-8801	Clutch stopper plate spring	54	6-341-5801	Handle nut
27	6-121-9701	Clutch stopper plate pin	55	6-040-3201	Handle nut plate
28	6-750-6402	Pinion gear	56	6-353-8301	Handle nut plate screw