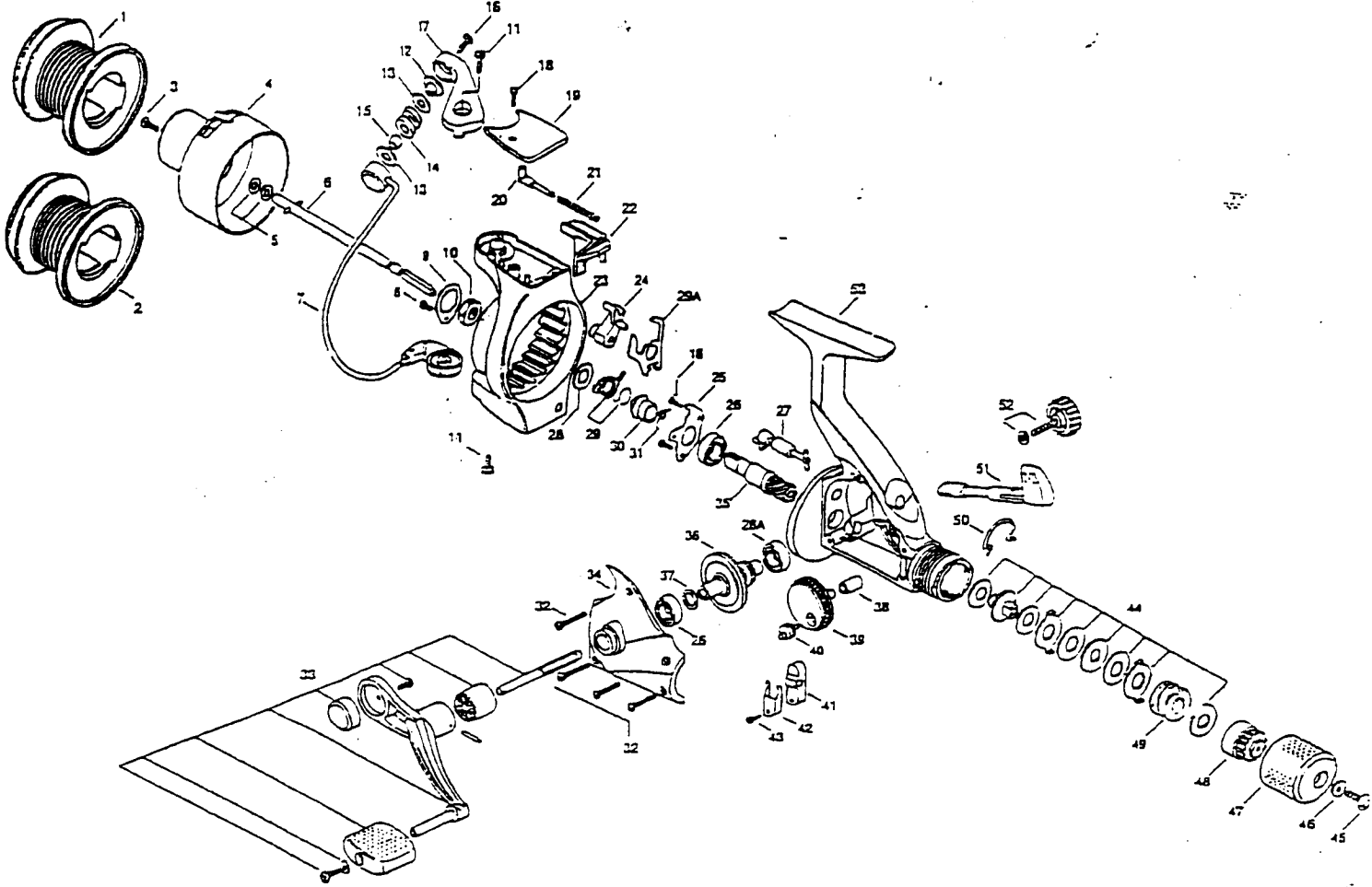


# MCH20/MCH40

Rev A. 7/98



1	888-9351	SIZE 20 COPPER ANODIZED SPOOL ASSEMBLY	888-9404	SIZE 40 BAR ARM	30	893-4000	SIZE 20 ANTI-REVERSE ACTIVATION RACE	892-8900	SIZE 40 MAIN SHAFT KEEPER		
	888-9352	SIZE 40 COPPER ANODIZED SPOOL ASSEMBLY	18	888-9405	SCREW- LOWER COVER & PUNCH		861-1500	SIZE 40 ANTI-REVERSE ACTIVATION RACE	43	850-1900	SCREW- INSTALLATION
2	888-9353	SIZE 20 GRAPHITE SPOOL	19	888-9406	SIZE 20 MOTOR COVER	31	850-5300	ANTI-REVERSE ON-OFF SPRING	44	888-9421	SIZE 20 DRAG WASHER
	888-9354	SIZE 40 GRAPHITE SPOOL		888-9407	SIZE 40 MOTOR COVER	32	888-9412	BODY SCREWS		888-9422	SIZE 40 DRAG WASHER KIT
3	850-8800	SPOOL HUB SCREW	20	850-4800	SIZE 20 BAR TRIP PLUNGER	33	888-9414	SIZE 20 HANDLE ASSEMBLY	45	889-3800	SIZE 20 DRAG EXHA SCREW
4	888-9355	SIZE 20 SPOOL HUB ASSEMBLY		851-4900	SIZE 40 BAR TRIP PLUNGER		888-9415	SIZE 40 HANDLE ASSEMBLY		850-7000	SIZE 40 DRAG EXHA SCREW
	888-9356	SIZE 40 SPOOL HUB ASSEMBLY	21	850-4600	BALL SPRING	34	888-9416	SIZE 20 BODY COVER ASSEMBLY	46	831-1400	WASHER- DRAG EXHA
5	894-8900	SIZE 20 SPOOL WINDING?	22	859-2000	SIZE 20 INTERNAL BALL TRIP LEVER		888-9417	SIZE 40 BODY COVER ASSEMBLY	47	888-9519	SIZE 20 DRAG CLIP
6	888-9357	SIZE 20 MAIN SHAFT ASSEMBLY		861-0500	SIZE 40 INTERNAL BAR TRIP LEV...	35	888-9418	SIZE 20 BALL PUNCH		888-9521	SIZE 40 DRAG EXHA
	888-9358	SIZE 40 MAIN SHAFT ASSEMBLY	23	888-9408	SIZE 20 MOTOR		888-9419	SIZE 40 BRASS PUNCH	48	889-1300	SIZE 20 DRAG KIT
7	888-9359	SIZE 20 BAR WIRE ASSEMBLY-		888-9409	SIZE 40 MOTOR	36	859-0300	SIZE 20 DRIVE GEAR		865-1900	SIZE 40 DRAG KIT
	888-9401	SIZE 40 BAR WIRE ASSEMBLY	24	889-4300	SIZE 20 ANTI-REVERSE PAWL		861-1300	SIZE 40 DRIVE GEAR	49	889-3200	SIZE 20 DRAG SPRING
8	850-5900	SCREW- MOTOR HUB ATTACHER		851-1700	SIZE 40 ANTI-REVERSE PAWL	37	850-5600	SPACER- DRIVE GEAR		865-1800	SIZE 40, DRAG SPRING
9	850-3900	RETAINER- LOWER HUB	25	859-0800	SIZE 20 PUNCH SB RETAINER	38	887-3000	SIZE 20 OSCILLATION GEAR INSERT	50	889-7700-	SIZE 20 DRAG CLIP
10	842-9900	NUT- MOTOR		861-0900	SIZE 40 PUNCH SB RETAINER		887-3900	SIZE 40 OSCILLATION GEAR INSERT		865-1700	SIZE 40 DRAG CLIP
11	843-2000	BAR SCREW	26	897-6200	BALL BEARING	39	887-2900	SIZE 20 OSCILLATION MAIN GEAR	51	888-9423	SIZE 20 ANTI-REVERSE SWITCH
12	867-6800	ROLLER- LINE ROLLER	26A	897-6500	SIZE 20- BALL BEARING		887-4000	SIZE 40 OSCILLATION MAIN GEAR		888-9424	SIZE 40 ANTI-REVERSE SWITCH
13	866-7700	WASHER- LINE ROLLER TEFLON™	27	887-3200	SIZE 20 ANTI-REVERSE STEEL	40	887-3300	SIZE 20 OSCILLATION PLANETARY GEAR	52	888-9425	HANDLE NUT
14	866-6700	LINE ROLLER- CERAMIC		887-4300	SIZE 40 ANTI-REVERSE STEEL		887-4100	SIZE 40 OSCILLATION PLANETARY GEAR	53	888-9427	SIZE 20 BODY
15	888-9402	BALL BEARING, LINE ROLLER	28	861-1600	SPACER WASHER	41	889-2500	SIZE 20 OSCILLATION SLIDER		888-9428	SIZE 40 BODY
16	850-3800	SCREW- BAR ARM	29	888-9411	SIZE 20 ANTI-REVERSE SPRING ASSEMBLY		892-8800	SIZE 40 OSCILLATION SLIDER			
17	888-9403	SIZE 20 BAR ARM	29A	853-9900	SIZE 40 ANTI-REVERSE ACTN SPRING	42	889-2600	SIZE 20 MAIN SHAFT KEEPER			