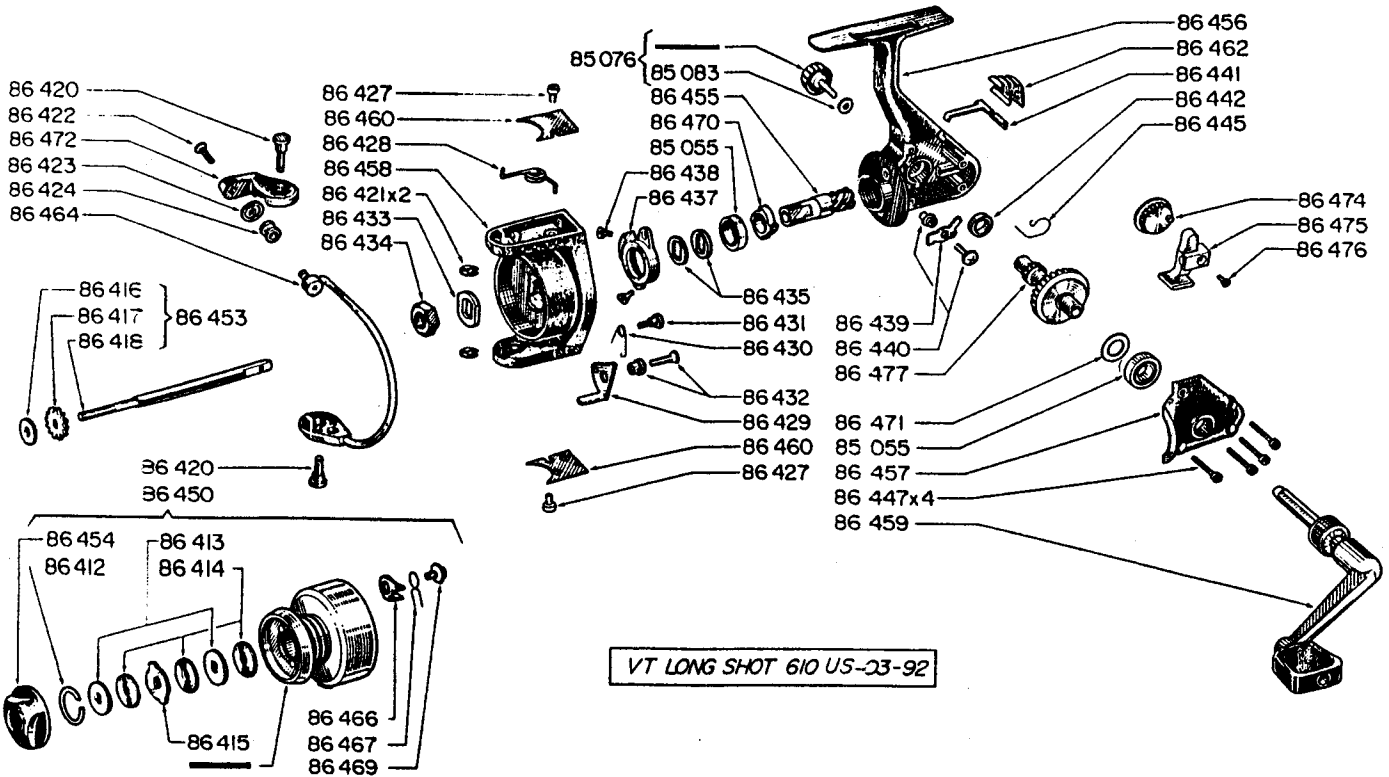


MITCHELL®

610 Long shot



Part No.	Description
----------	-------------

8505500	BALL BEARING
8507600	HANDLE CAP SCREW W/ WASHER
8508300	CAP SCREW WASHER
8641200	DRAG RETAINER
8641300	KEYED DRAG WASHER
8641400	DRAG WASHER
8641500	EARED DRAG WASHER
8641600	BASE DRAG WASHER
8641700	CLICK GEAR
8641800	AXLE
8642000	BAIL RETAINING PIN
8642100	RETAINING PIN CLIP
8642200	LINE GUIDE SCREW
8642300	LINE GUIDE RACE
8642400	LINE GUIDE
8642700	COVER PLATE SCREW
8642800	BAIL SPRING
8642900	TRIP LEVER
8643000	TRIP LEVER SPRING
8643100	TRIP LEVER SPRING PIN
8643200	TRIP LEVER SCREW W/ BUSHING
8643300	KEYED WASHER
8643400	ROTATING HEAD NUT
8643500	KEYED SPACER WASHER
8643700	BEARING RETAINER
8643800	BEARING RETAINER SCREW
8643900	ANTI-REVERSE DOG

Part No.	Description
----------	-------------

8644000	AR DOG SCREW W/ BUSHING
8644100	ANTI-REVERSE LEVER
8644200	HOUSING BUSHING
8644500	ANTI-REVERSE FRICTION SPRING
8644700	SIDE PLATE SCREW
8645000	SPOOL
8645300	AXLE W/ CLICK GEAR
8645400	DRAG KNOB
8645500	PINION GEAR
8645600	HOUSING
8645700	SIDE PLATE
8645800	ROTATING HEAD
8645900	HANDLE
8646000	COVER PLATE N1
8646200	ANTI-REVERSE BUTTON
8646400	BAIL WIRE - W/ MOUNT
8646600	SPOOL CLICK
8646700	SPOOL CLICK SPRING
8646900	SPOOL CLICK SCREW
8647000	ANTI-REVERSE RATCHET
8647100	SHIM - DRIVE GEAR
8647200	BAIL ARM
8647400	CROSS WIND GEAR
8647500	OSCILLATION SLIDE
8647600	OSCILLATION SLIDE SCREW
8647700	DRIVE GEAR